

# easicook.co.uk

## Spare Parts Manual

Leading UK Distributors  
of Catering Equipment Since 1977

Sales - Repairs - Spares

Tel: 029 20747567

Fax: 029 20214100

Email: [info@easicook.co.uk](mailto:info@easicook.co.uk)

[Click Here for Live Online Chat](#)

PARTI DI RICAMBIO  
PIECES DETACHEES  
SPARE PARTS  
ERSATZTEILE  
LISTA DE RECAMBIOS

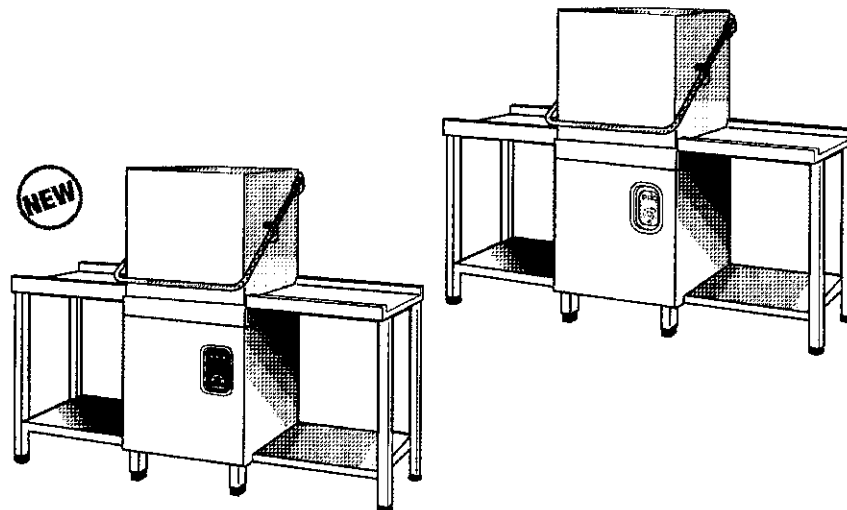
**LC 700 BT**

**LC 900 BT**

**LC 1200 BT**

PRODUCTION START 10/03

NEW DESIGN 04/05

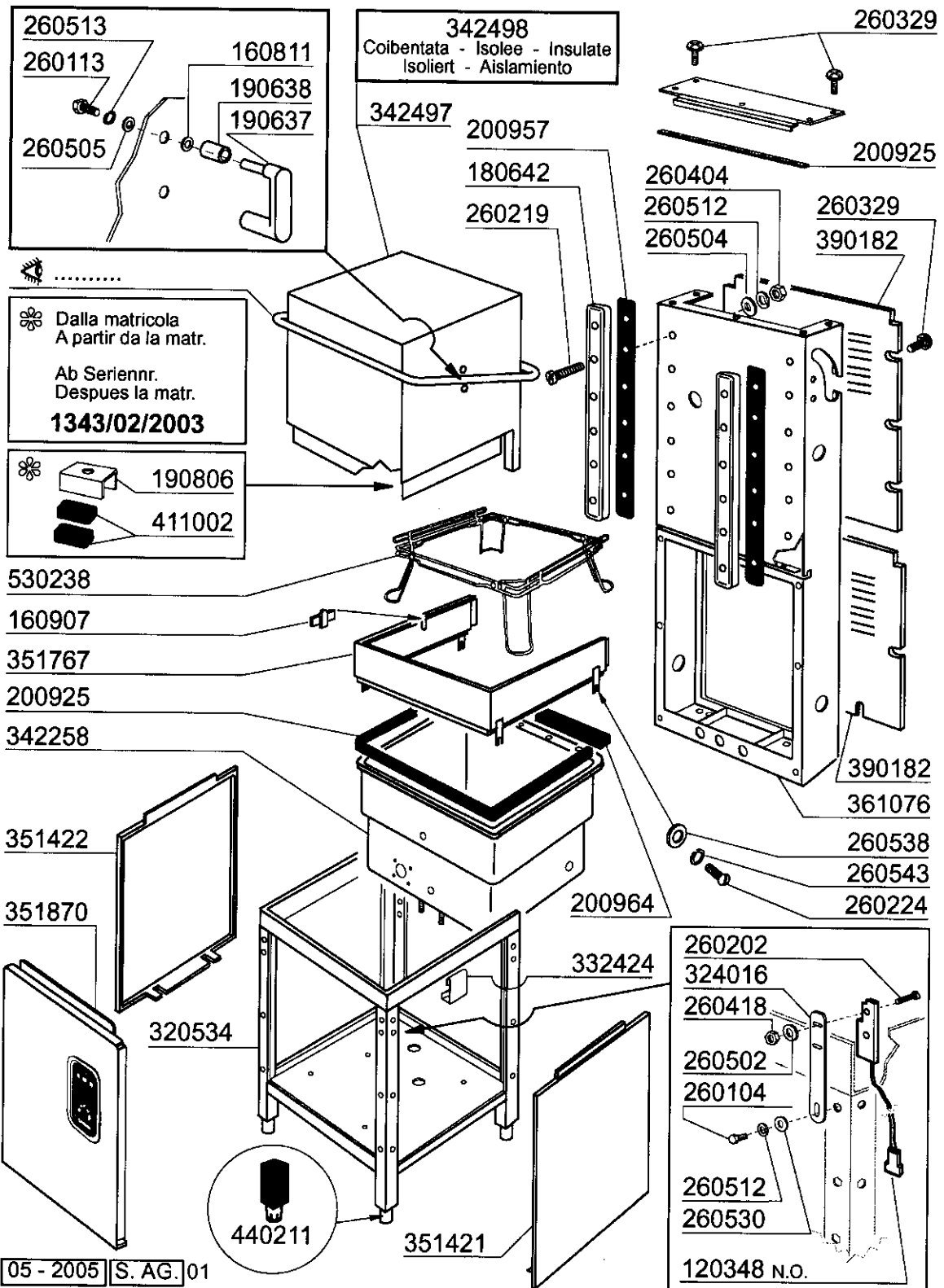


**COMENDA**

05 - 2005 S. AG.

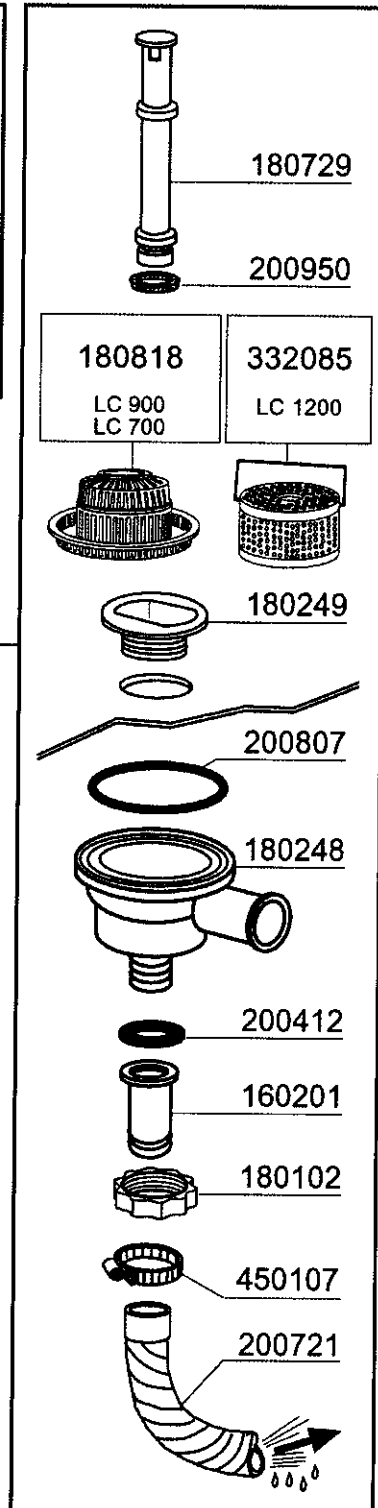
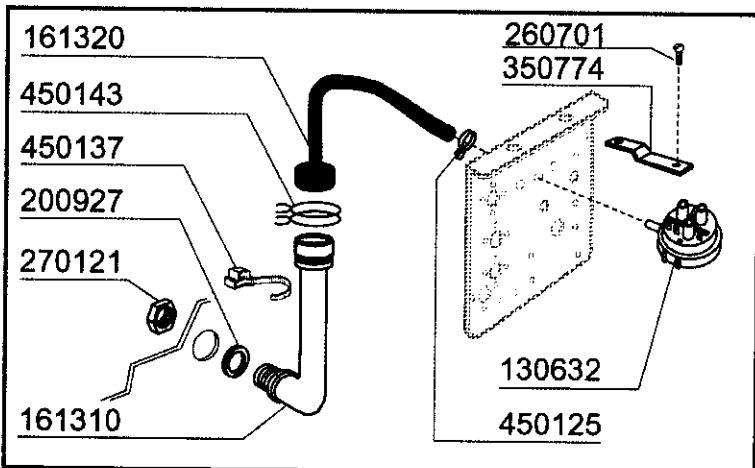
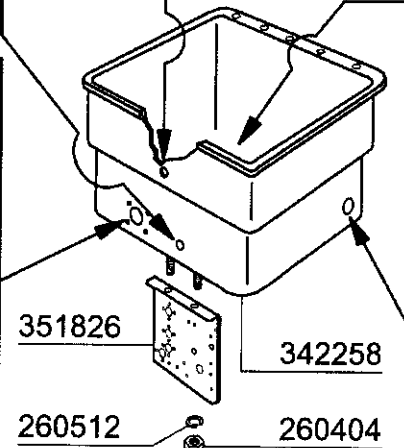
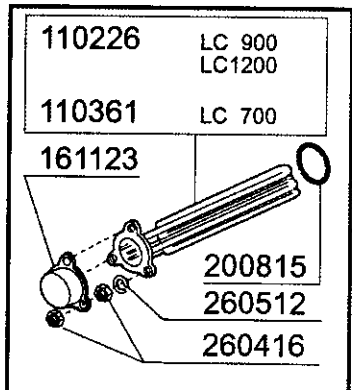
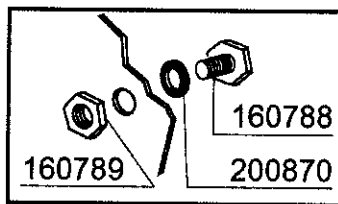
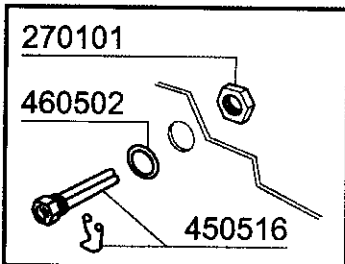
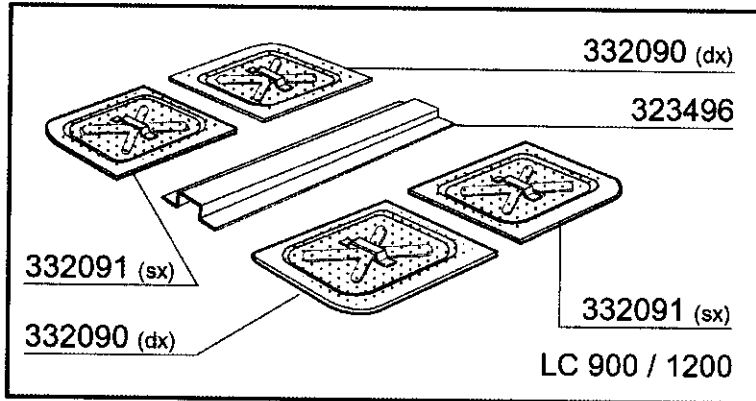
**LC900BT**

Hood/Tank



**LC900BT**

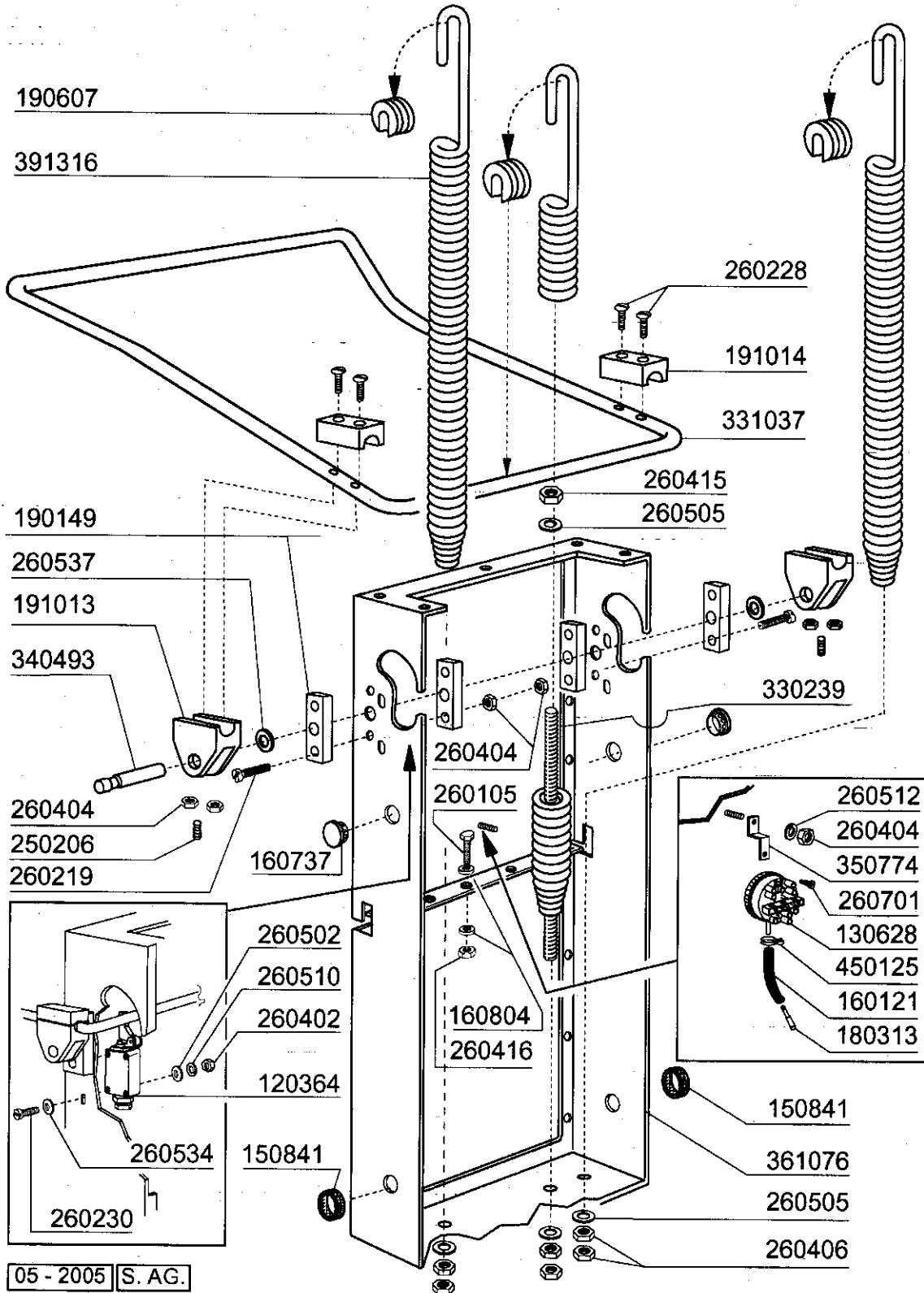
Tank



05 - 2005 | S. AG.

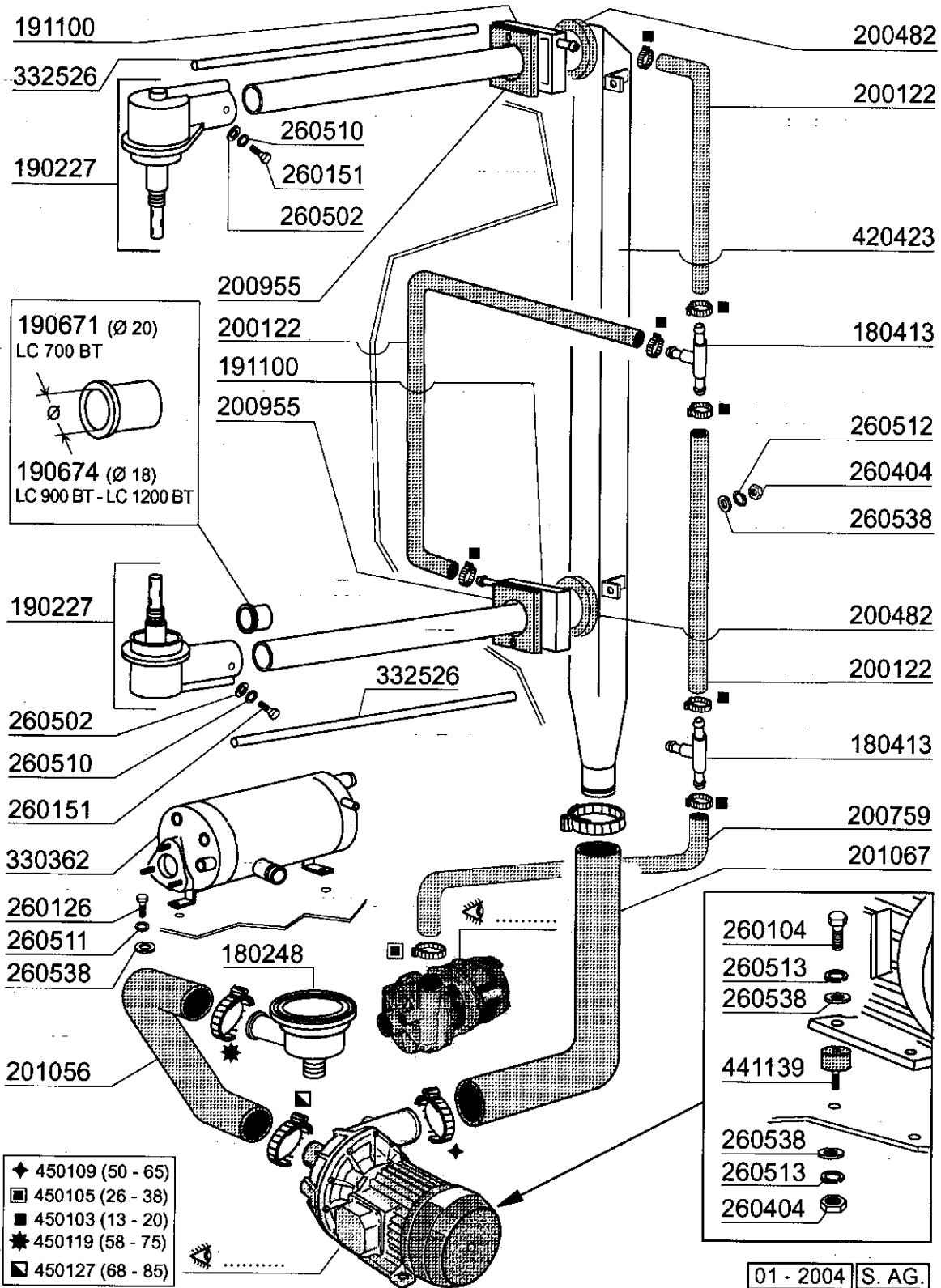
**LC900BT**

**Handle**



**LC900BT**

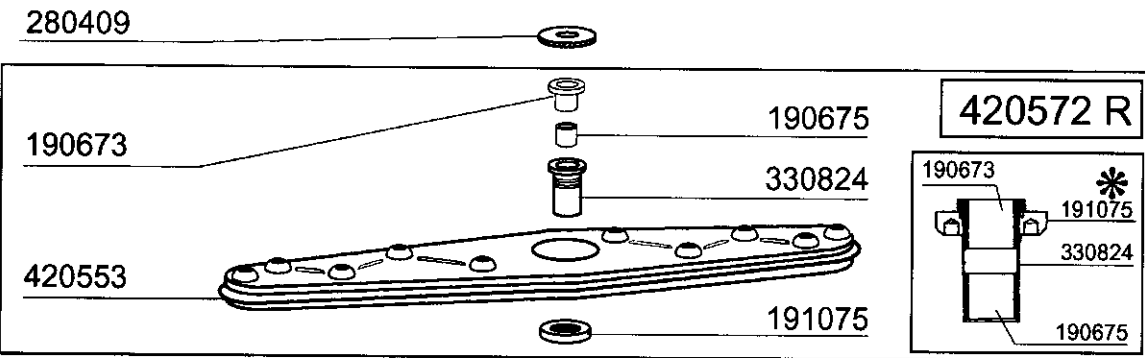
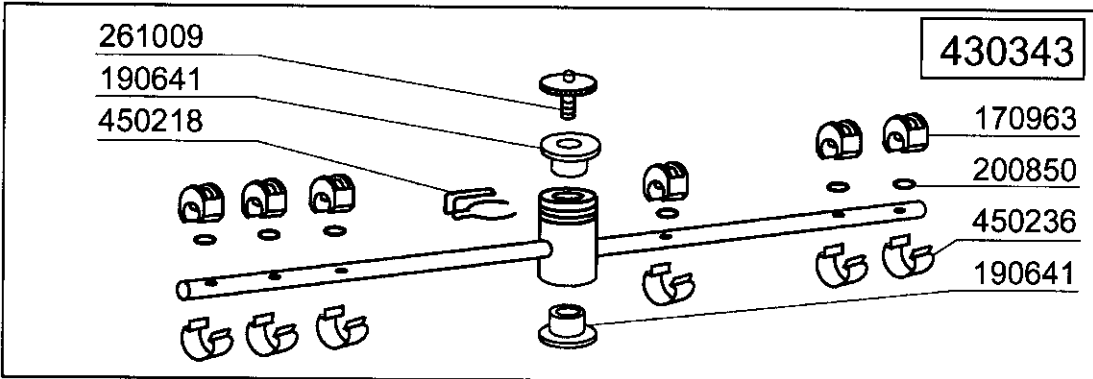
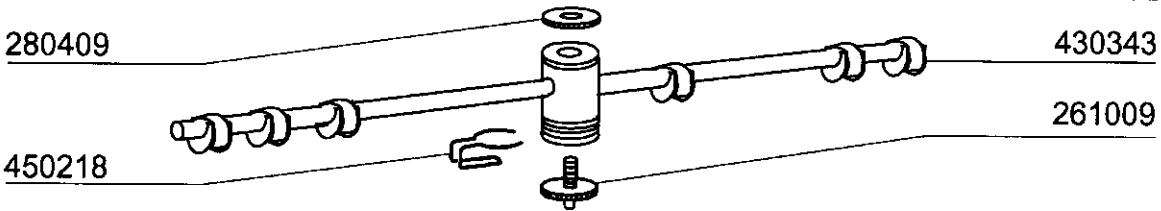
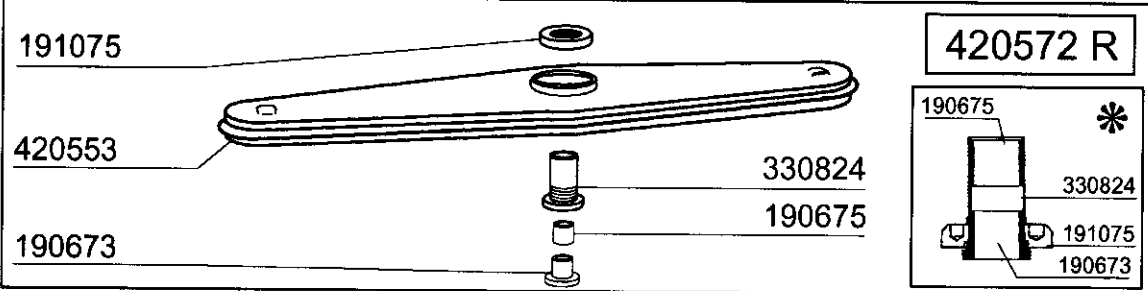
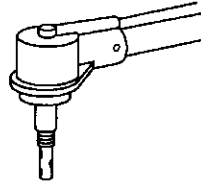
Wash/Rinse column



**LC900BT**

**Wash arm**

\* dalla matricola  
a partir de la matr.  
from serial no.  
ab Seriennr.  
despues la matr.  
01 - 2003



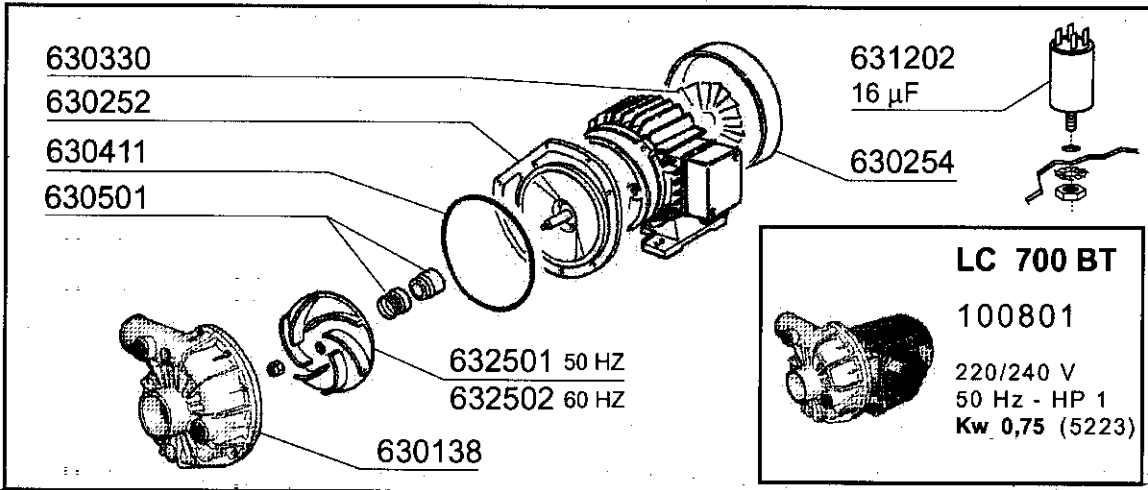
07 - 2003 S.A.G.





**LC900BT**

Pump



630330  
630252  
630411  
630501

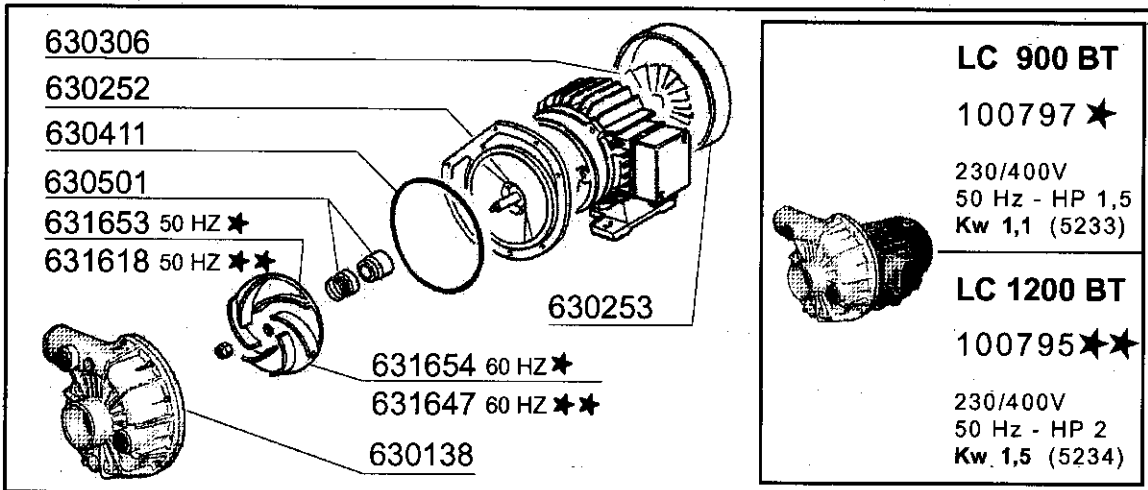
631202  
16  $\mu$ F

630254

632501 50 HZ  
632502 60 HZ

630138

**LC 700 BT**  
100801  
220/240 V  
50 Hz - HP 1  
Kw 0,75 (5223)



630306  
630252  
630411  
630501  
631653 50 HZ ★  
631618 50 HZ ★★

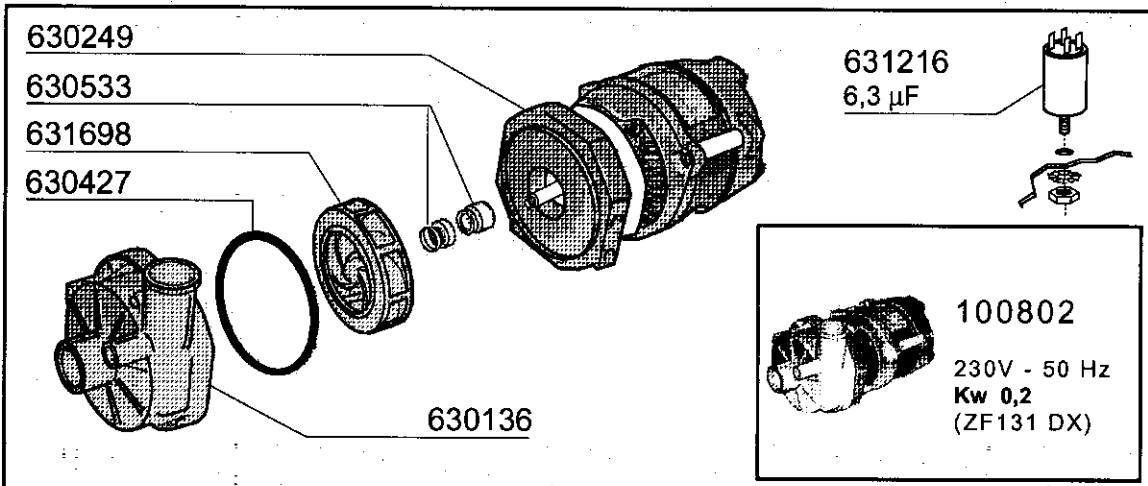
630253

631654 60 HZ ★  
631647 60 HZ ★★

630138

**LC 900 BT**  
100797 ★  
230/400V  
50 Hz - HP 1,5  
Kw 1,1 (5233)

**LC 1200 BT**  
100795 ★★  
230/400V  
50 Hz - HP 2  
Kw 1,5 (5234)



630249  
630533  
631698  
630427

631216  
6,3  $\mu$ F

630136

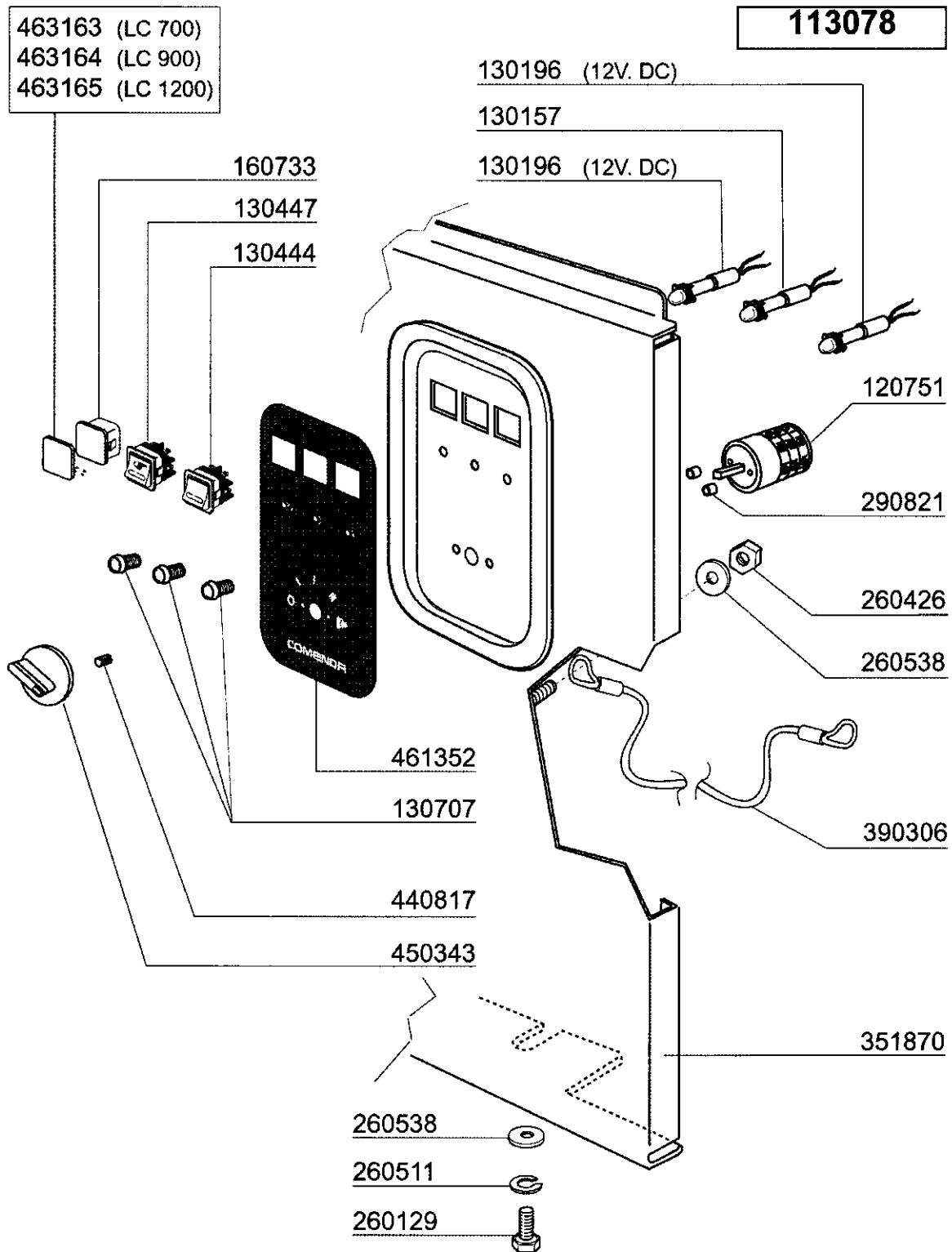
**100802**  
230V - 50 Hz  
Kw 0,2  
(ZF131 DX)

01 - 2004 | S. AG.



**LC900BT**

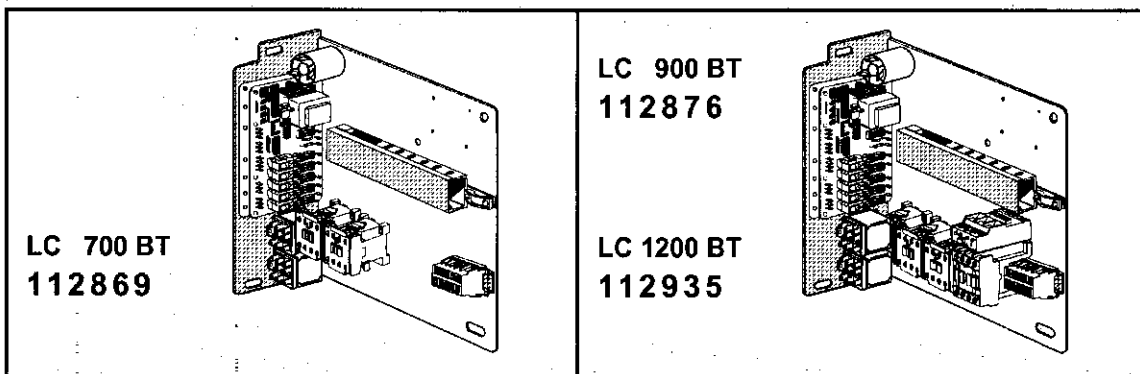
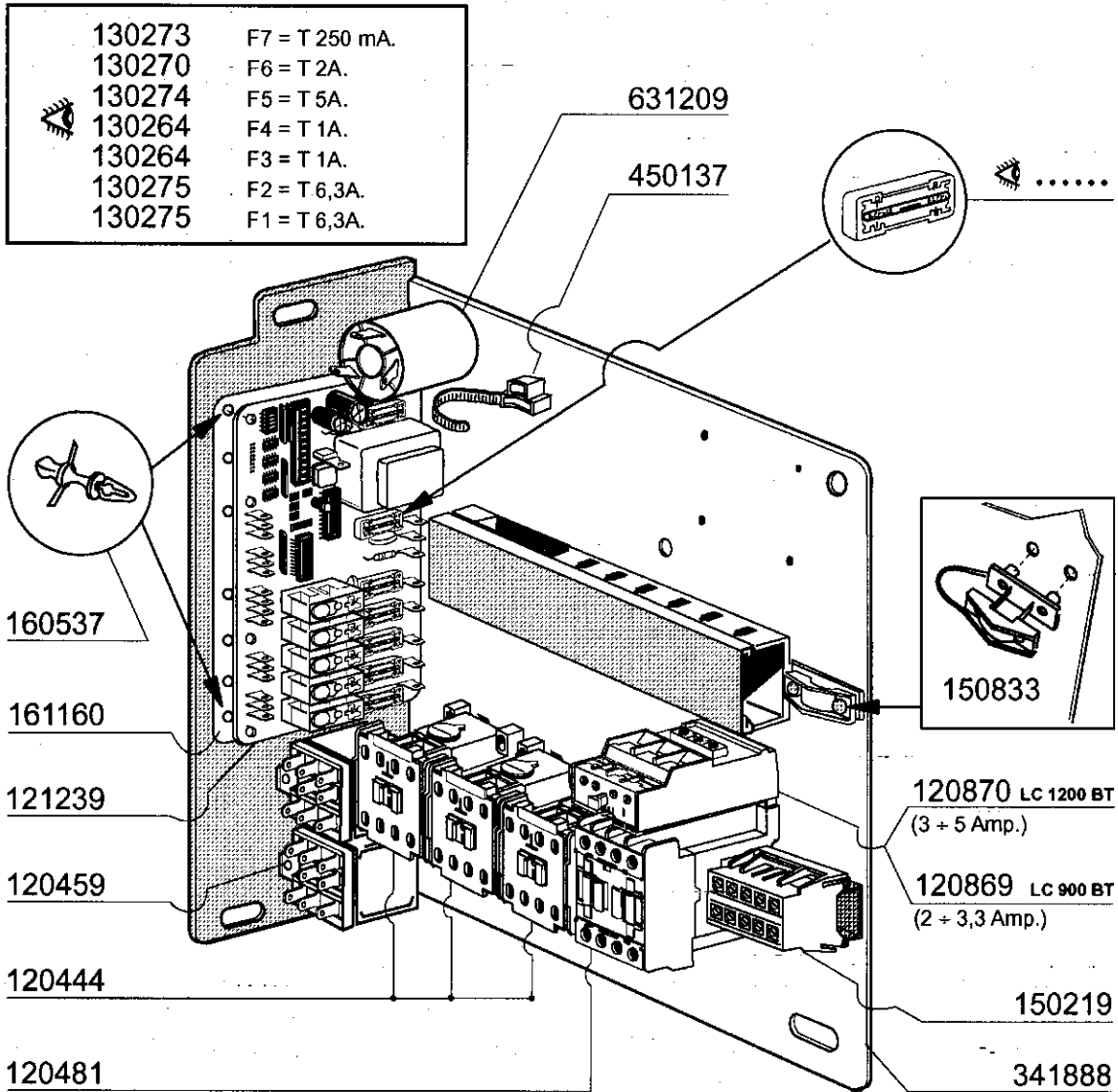
Control panel



05 2005 | S. AG.

**LC900BT**

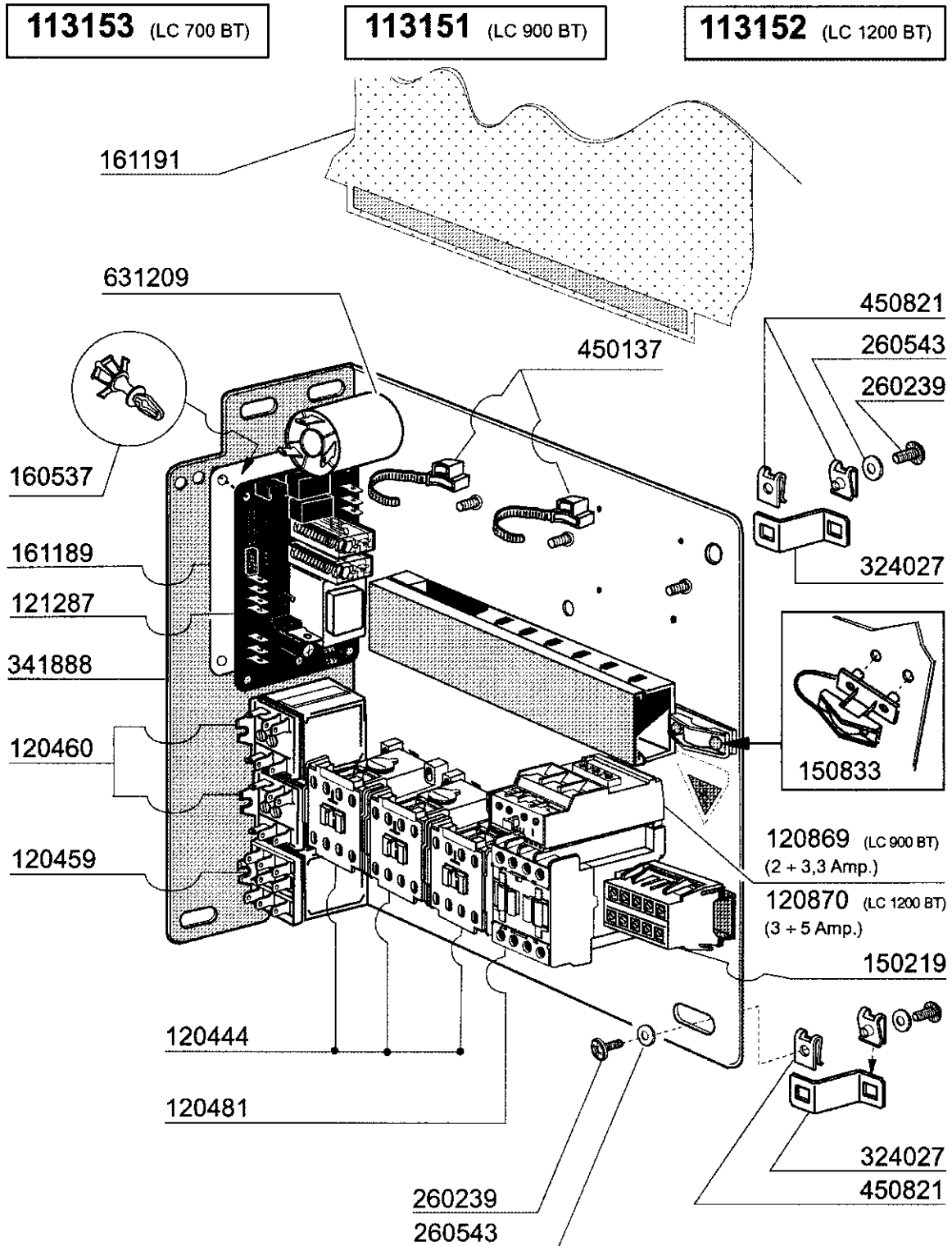
Control box



01 - 2004 | S.A.G.

**LC900BT**

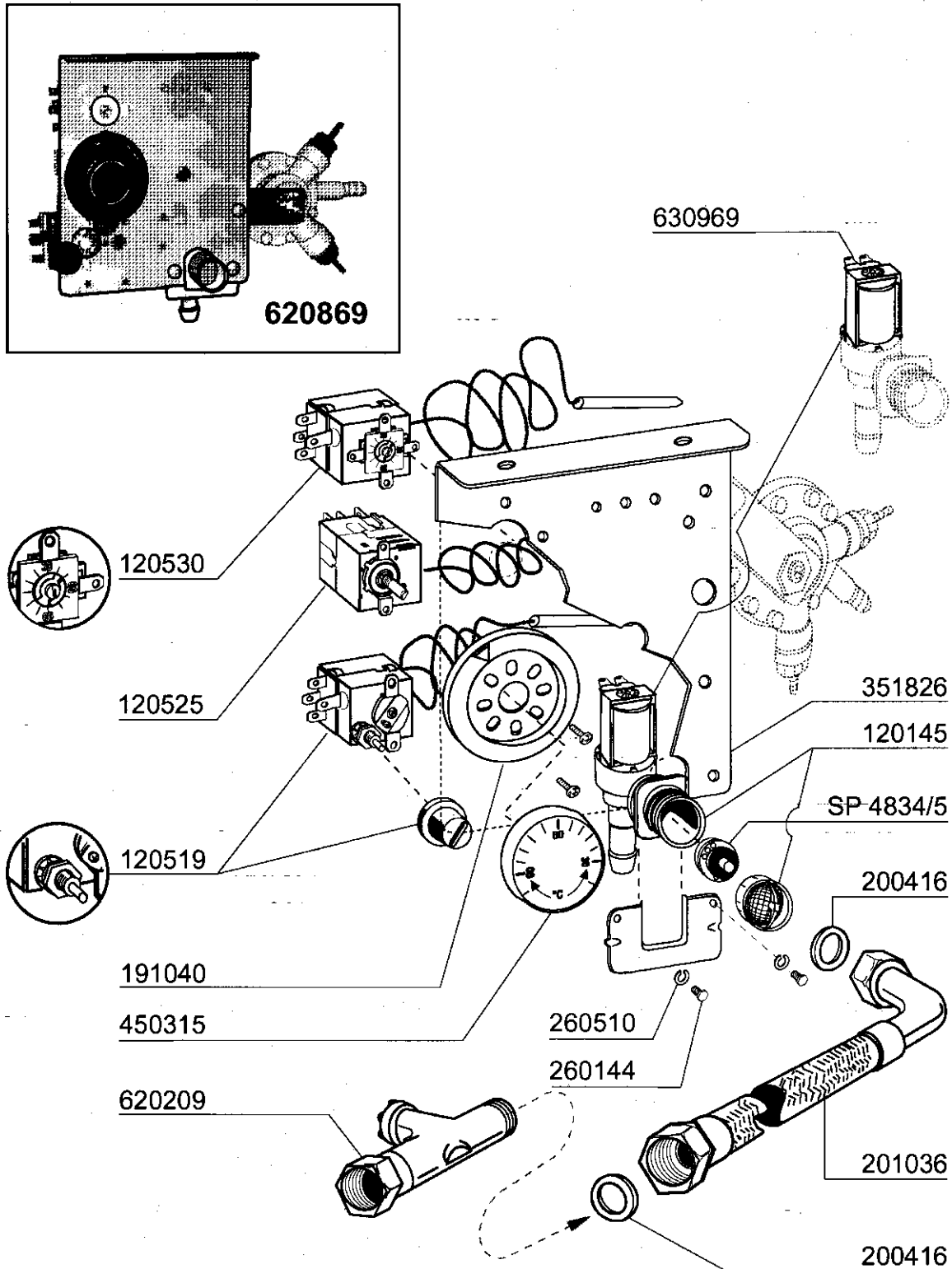
Control box



05 - 2005 | S. AG.

**LC900BT**

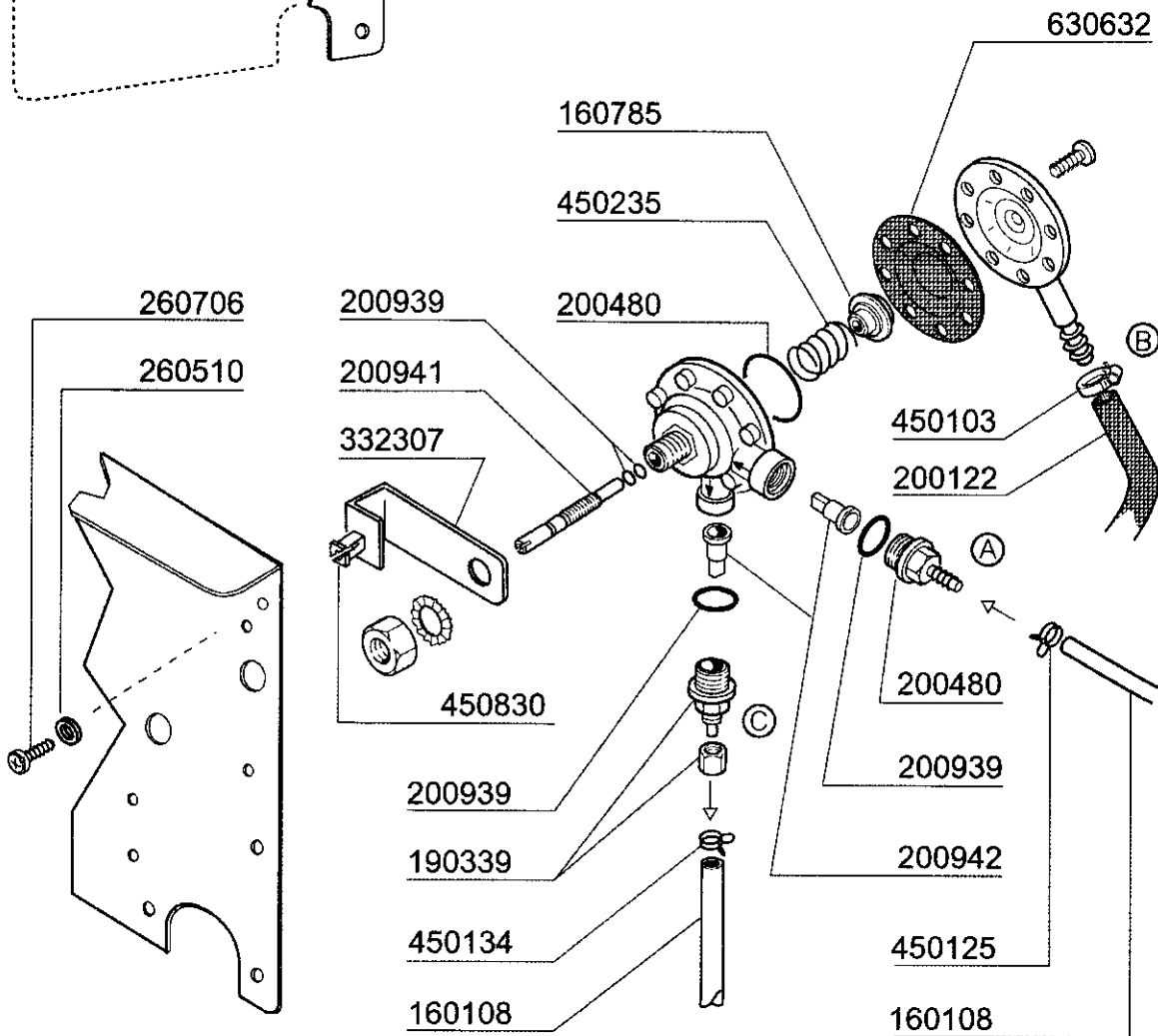
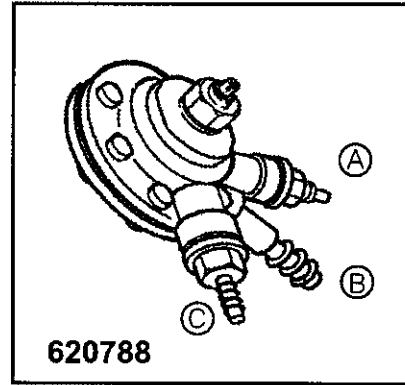
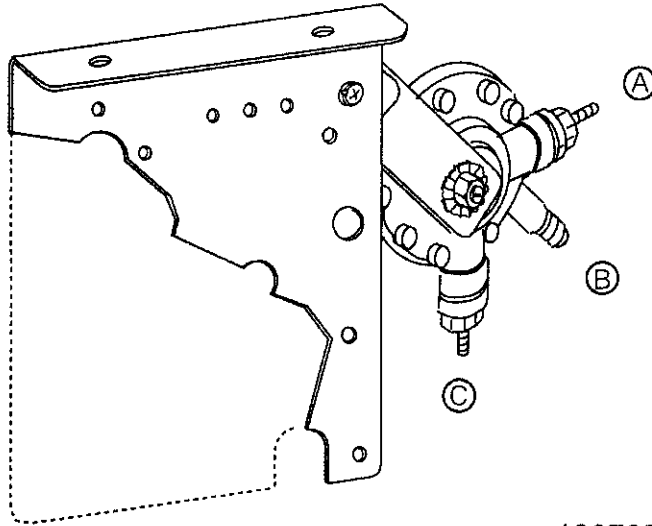
Thermostat/solenoid valve group



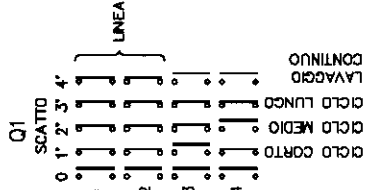
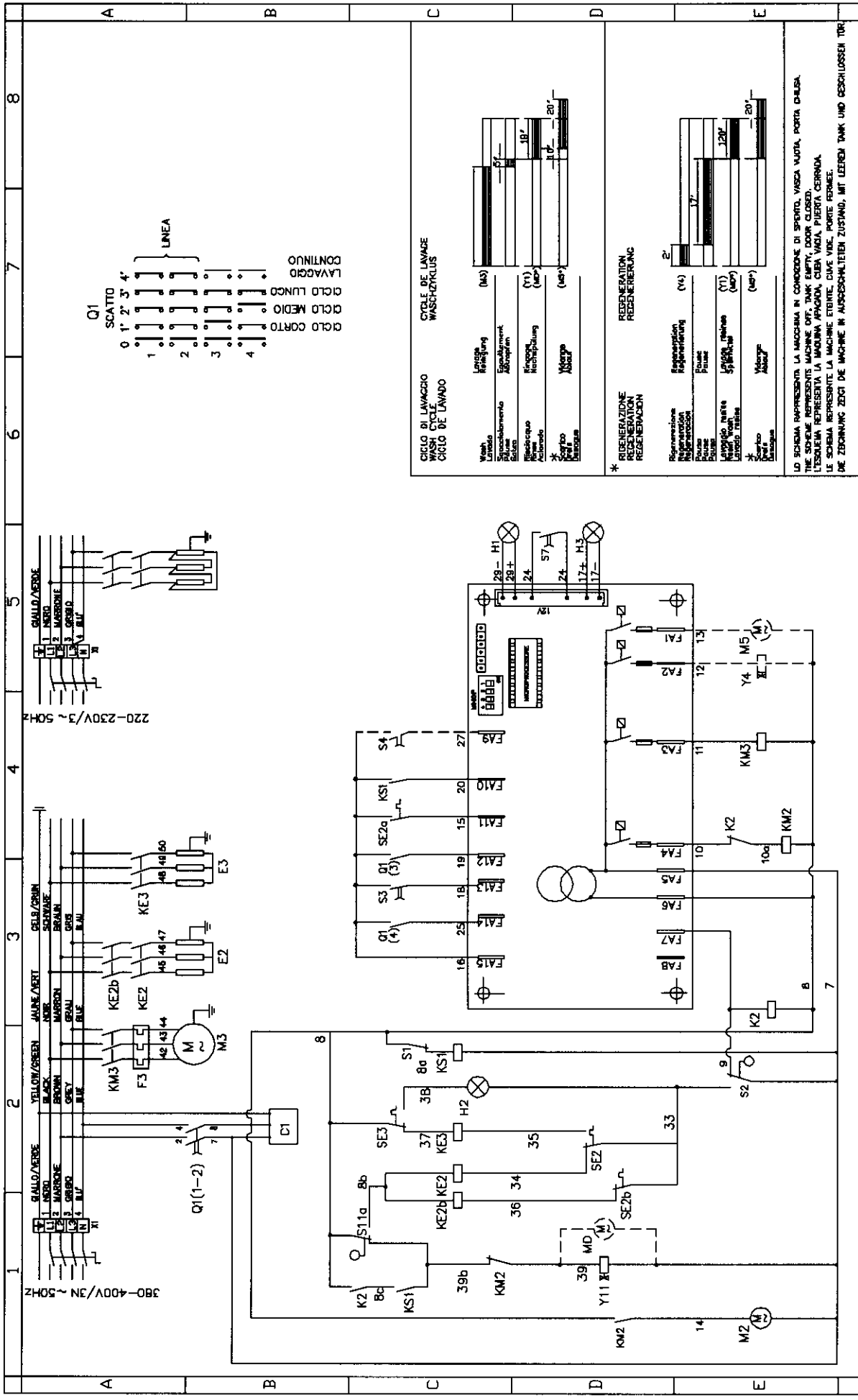
04 - 2004 S. AG.

**LC900BT**

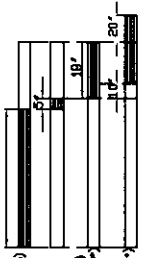
Rinse aid injector



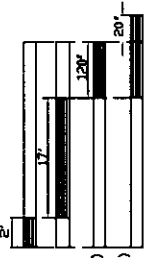
01 - 2004 S. AG.



CICLO DI LAVAGGIO  
WASH CYCLE  
CICLO DE LAVADO  
CYCLE DE LAVAGE  
WASCHZYKLUS



\* RIGENERAZIONE  
REGENERATION  
REGENERATION  
REGENERATION



LO SCHEMA RAPPRESENTA LA MACCHINA IN CONDIZIONE DI SPERIMENTO, VEDIAMO VUOTA, PORTA CHIUSA.  
THE SCHEMATIC REPRESENTS THE MACHINE WITH THE DOOR OPEN, EMPTY, DOOR CLOSED.  
LE SCHEMA REPRESENTS LA MACHINE ETAT DE VIDE, PORTA FERMEE.  
BE ZEICHNUNG ZEIGT DIE MASCHINE IN AUSDREHTEM ZUSTAND, MIT LEEREM TANK UND GESCHLOSSEN TOR.

DATE	02/08/04	DRAWING	LC900-LC1200 BT
SIGNATURE	M. Gardella		
LEGEND CODE	LgBFCC		
NOTE			
ARCHIVE REF.	K:\databel\schem\m1\c		
CODE N°	ELC00075		

AVV. CICLO	RIGENERA.	TEMPI	CICLO
MINIDIP 1	MINIDIP 2		MINIDIP 3
AUTOMATICO ON	ATTIVA ON	57'00"/120"	ON ON
MANUALE OFF	DISATTIVA OFF	65'00"/150"	ON OFF
		80'00"/180"	OFF ON
		75'00"/180"	OFF OFF