

easicook.co.uk

Spare Parts Manual

**Leading UK Distributors
of Catering Equipment Since 1977**

Sales - Repairs - Spares

Tel: 029 20747567

Fax: 029 20214100

Email: info@easicook.co.uk

[Click Here for Live Online Chat](#)

PARTI DI RICAMBIO
PIECES DETACHEES
SPARE PARTS
ERSATZTEILE
LISTA DE RECAMBIOS

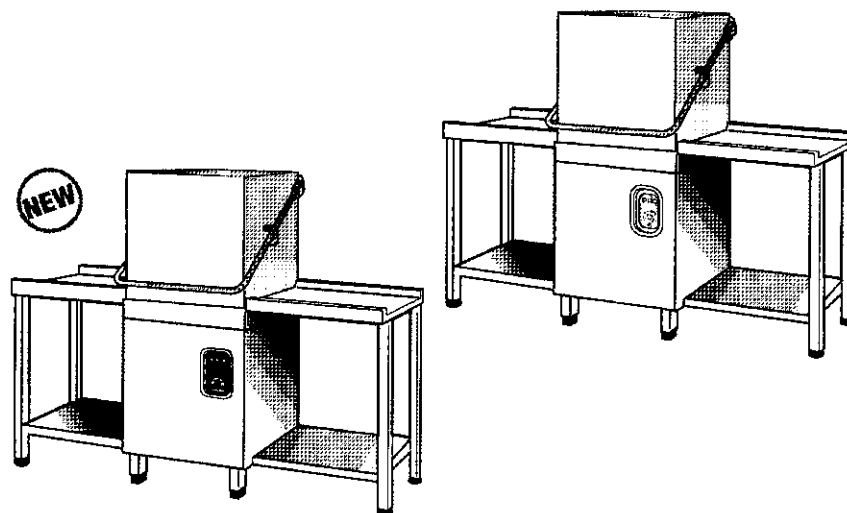
LC 700 BT

LC 900 BT

LC 1200 BT

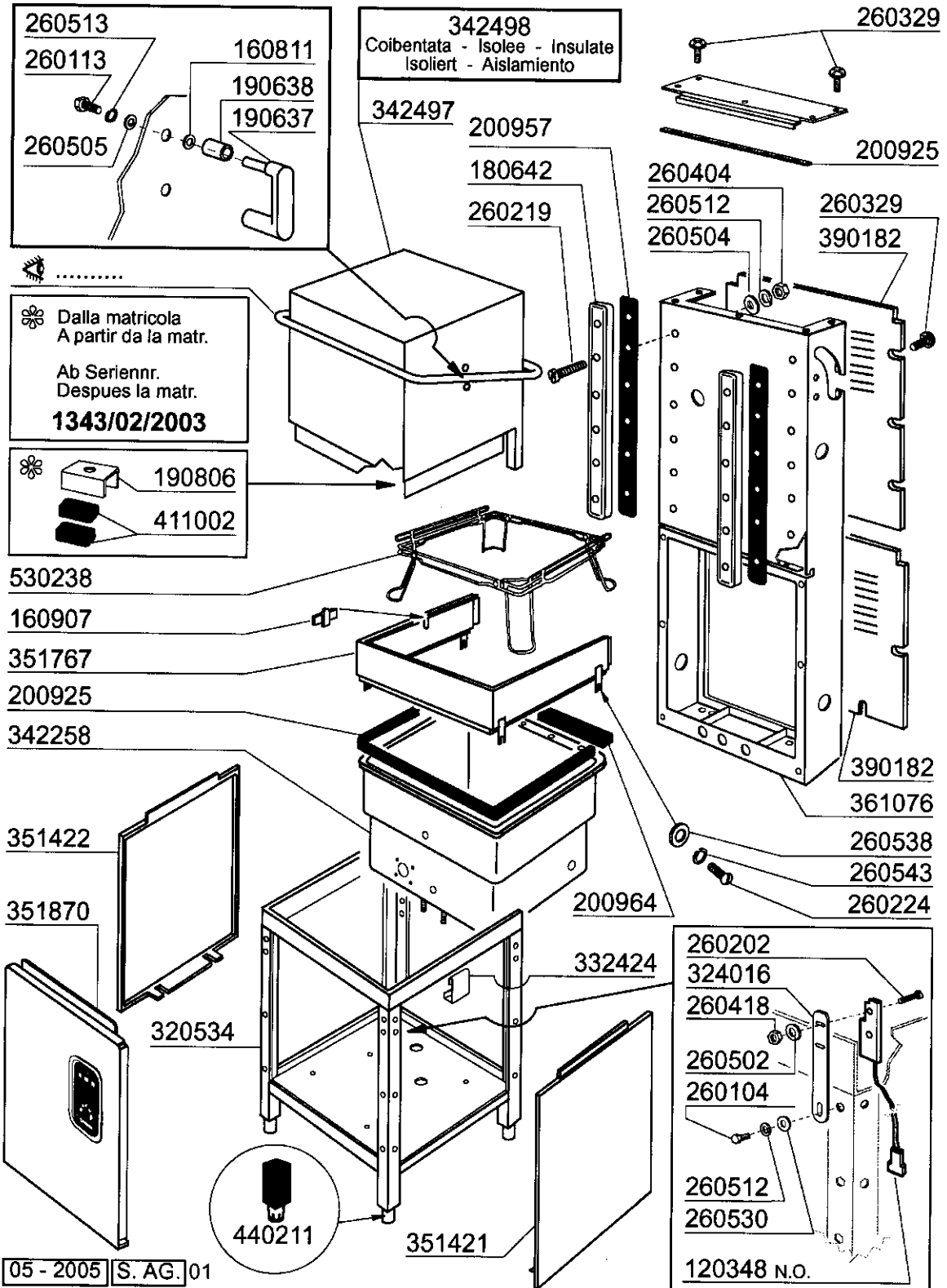
PRODUCTION START 10/03

NEW DESIGN 04/05



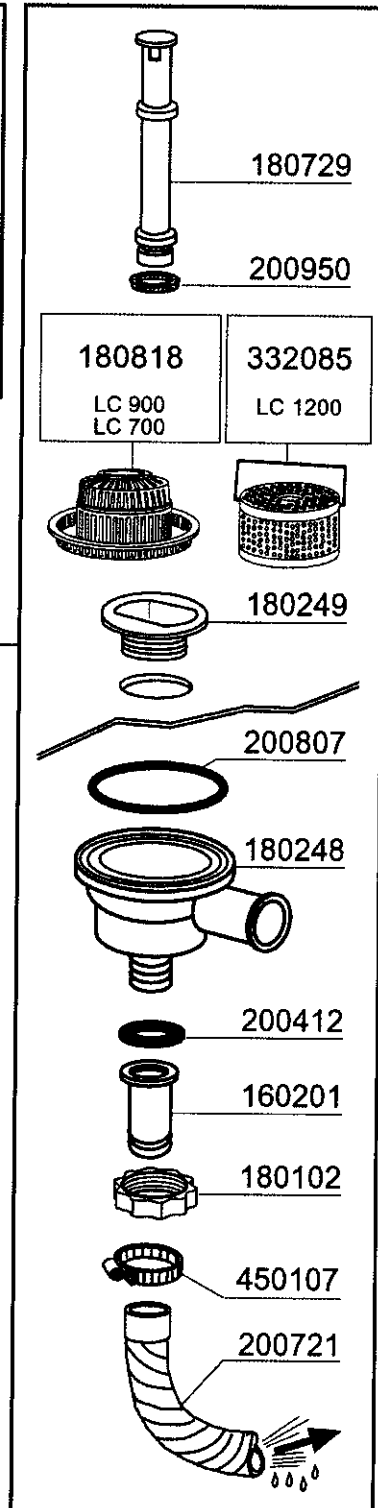
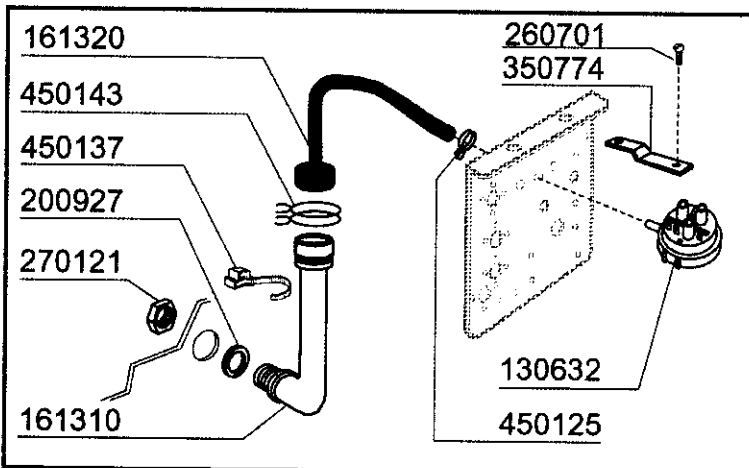
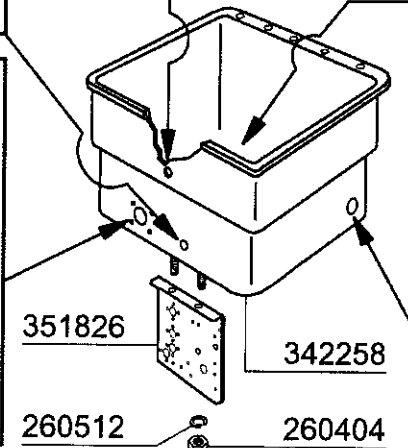
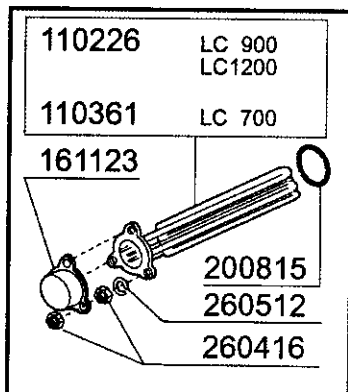
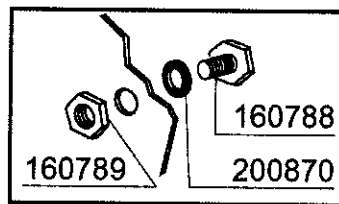
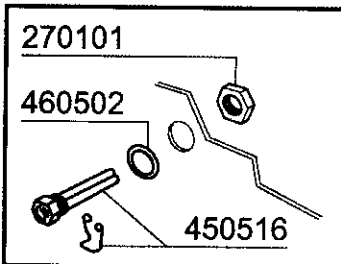
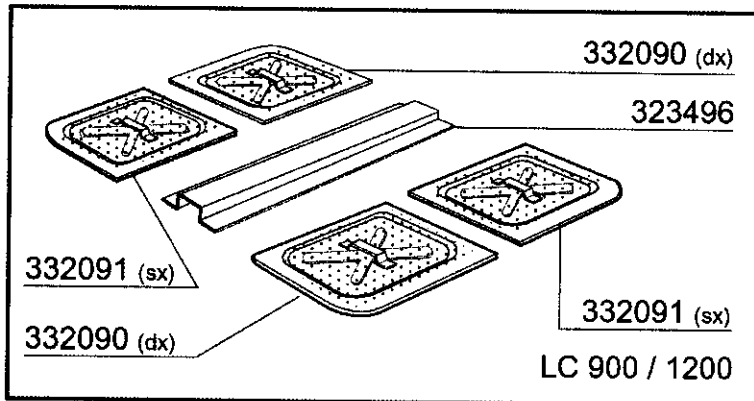
COMENDA

05 - 2005 S. AG.

LC900BT
Hood/Tank


LC900BT

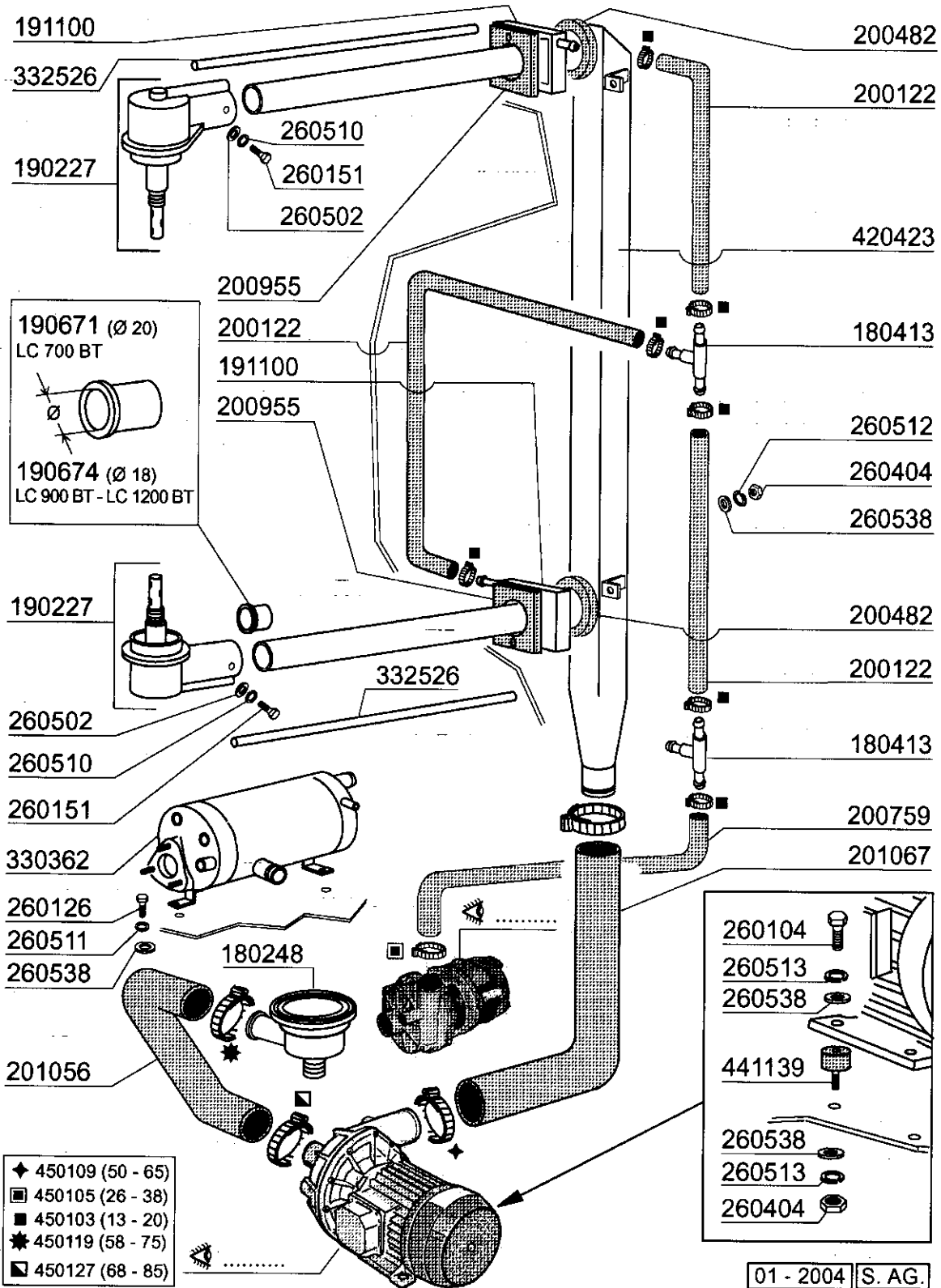
Tank



05 - 2005 | S. AG.

LC900BT

Wash/Rinse column

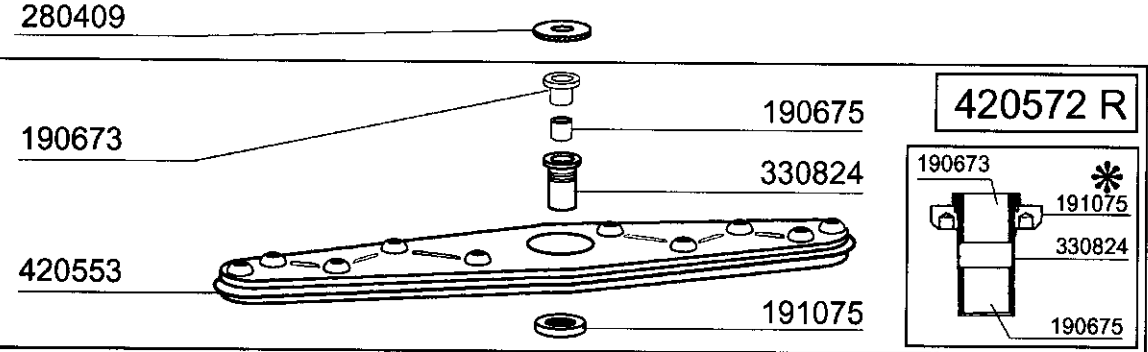
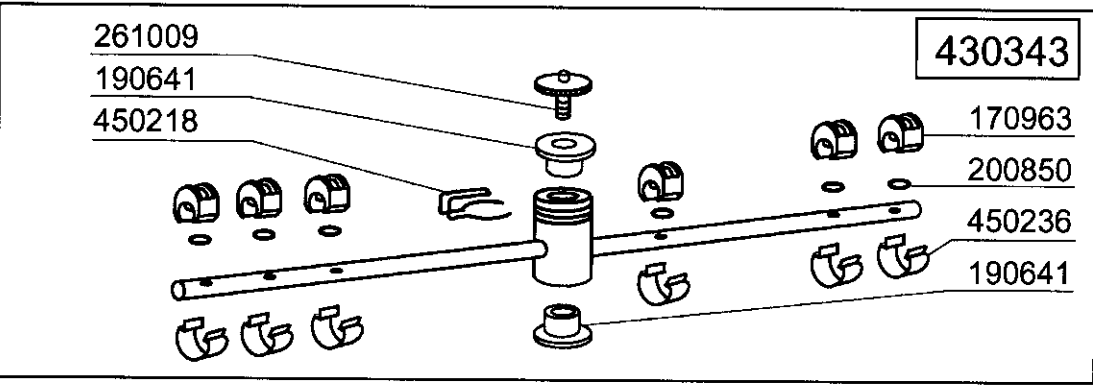
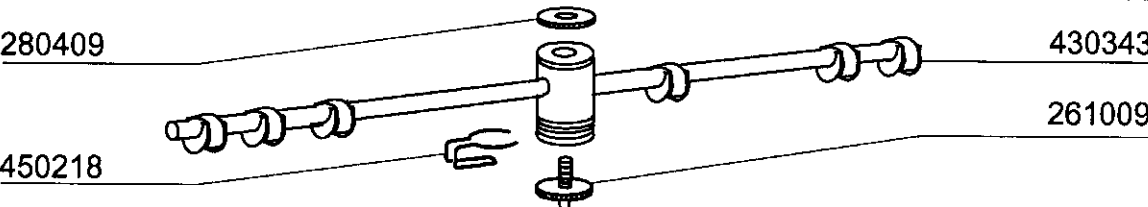
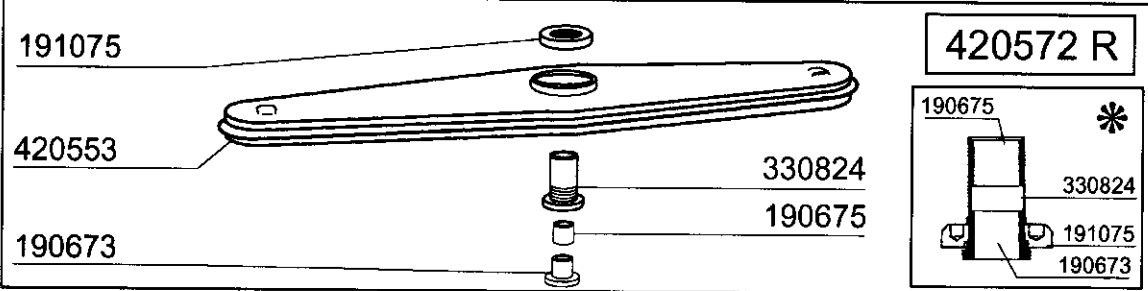
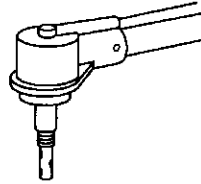


01 - 2004 | S. AG.

LC900BT

Wash arm

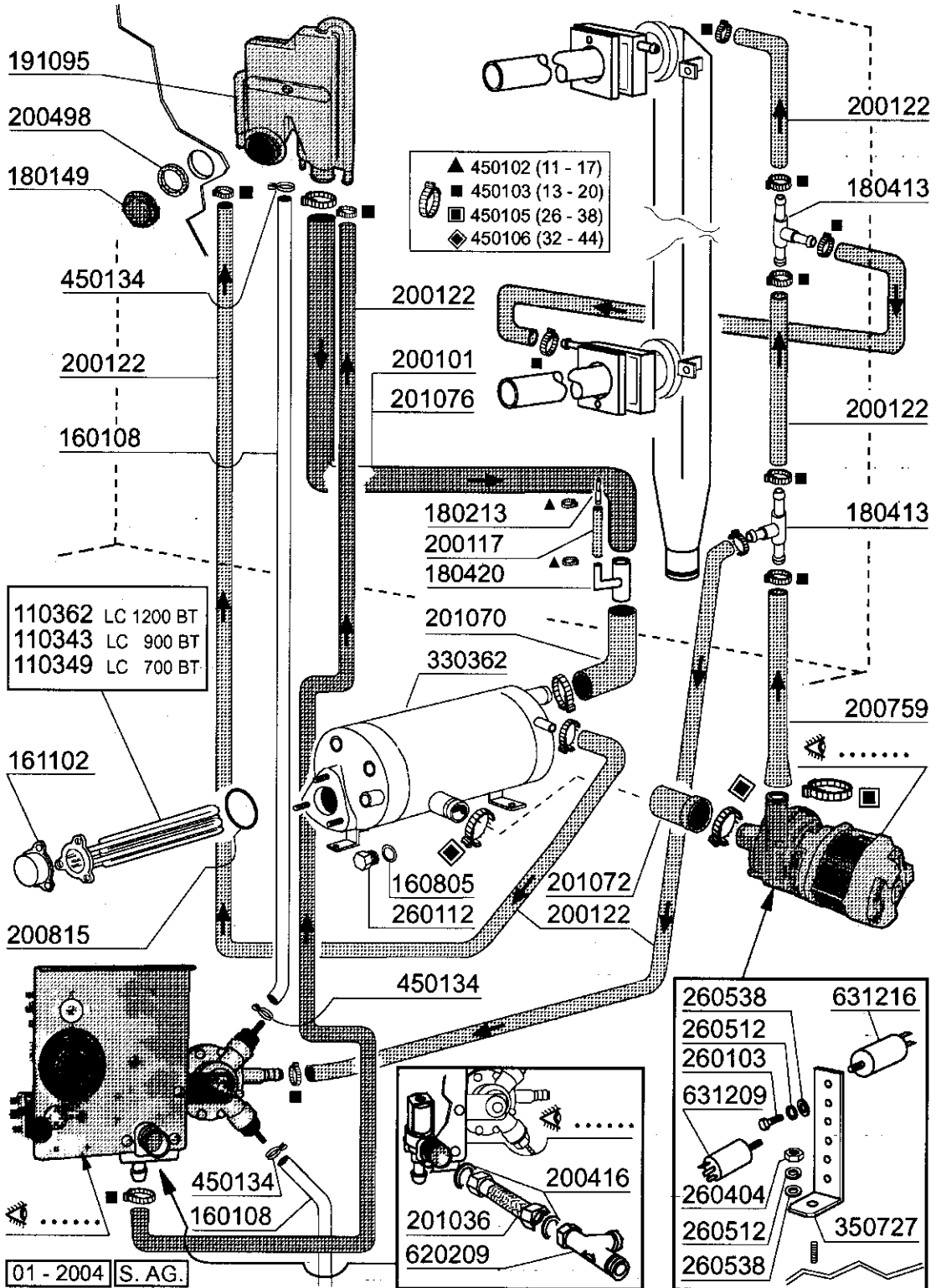
* dalla matricola
a partir de la matr.
from serial no.
ab Seriennr.
despues la matr.
01 - 2003



07 - 2003 S.A.G.

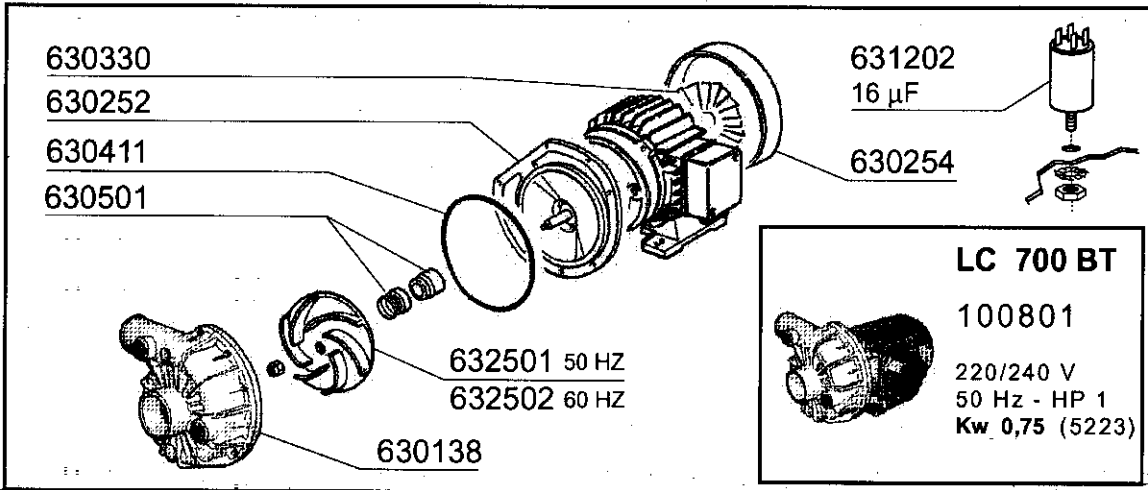
LC900BT

Rinse assembly/Break tank



LC900BT

Pump



630330
630252
630411
630501

631202
16 μ F

630254

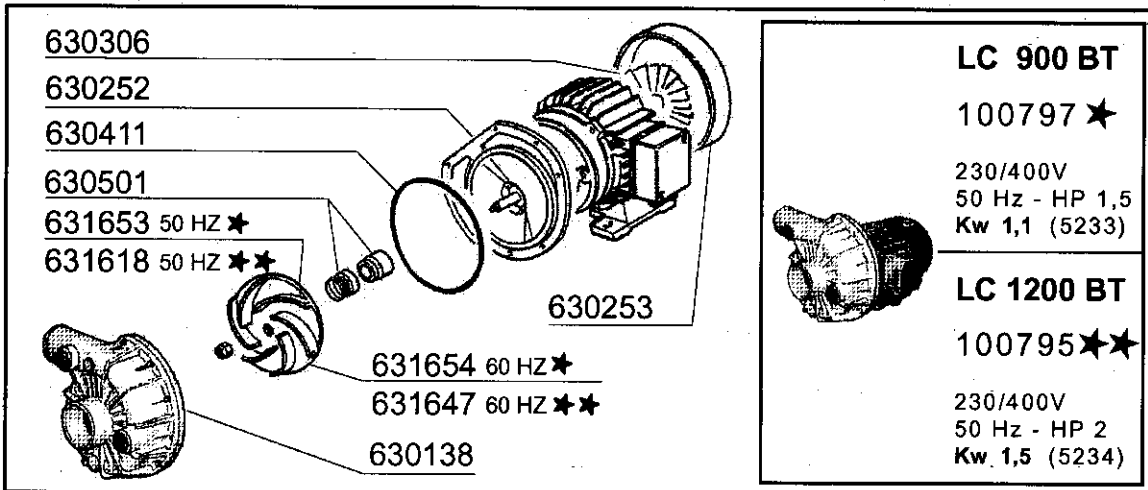
632501 50 HZ
632502 60 HZ

630138

LC 700 BT

100801

220/240 V
50 Hz - HP 1
Kw 0,75 (5223)



630306
630252
630411
630501
631653 50 HZ ★
631618 50 HZ ★★

630253

631654 60 HZ ★
631647 60 HZ ★★

630138

LC 900 BT

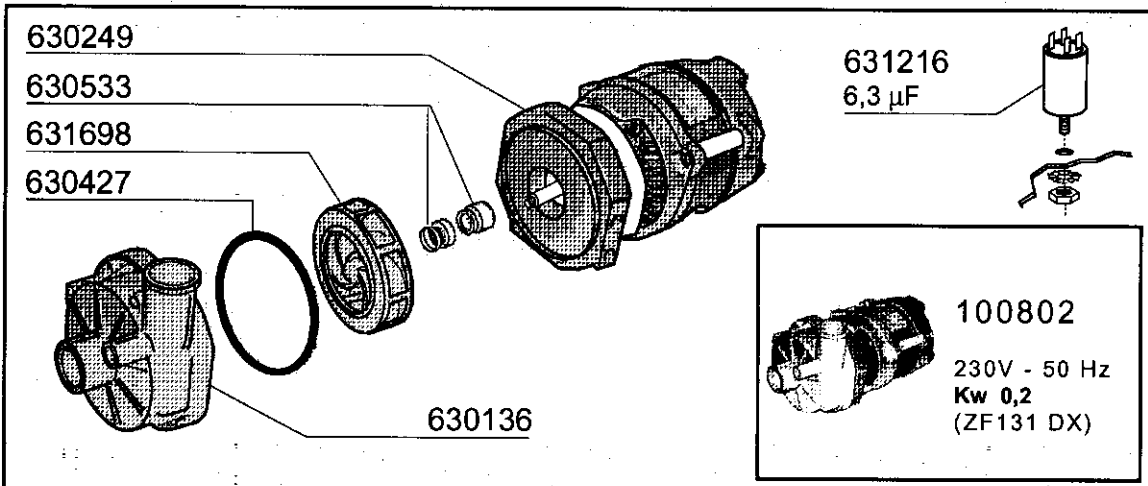
100797 ★

230/400V
50 Hz - HP 1,5
Kw 1,1 (5233)

LC 1200 BT

100795 ★★

230/400V
50 Hz - HP 2
Kw 1,5 (5234)



630249
630533
631698
630427

631216
6,3 μ F

630136

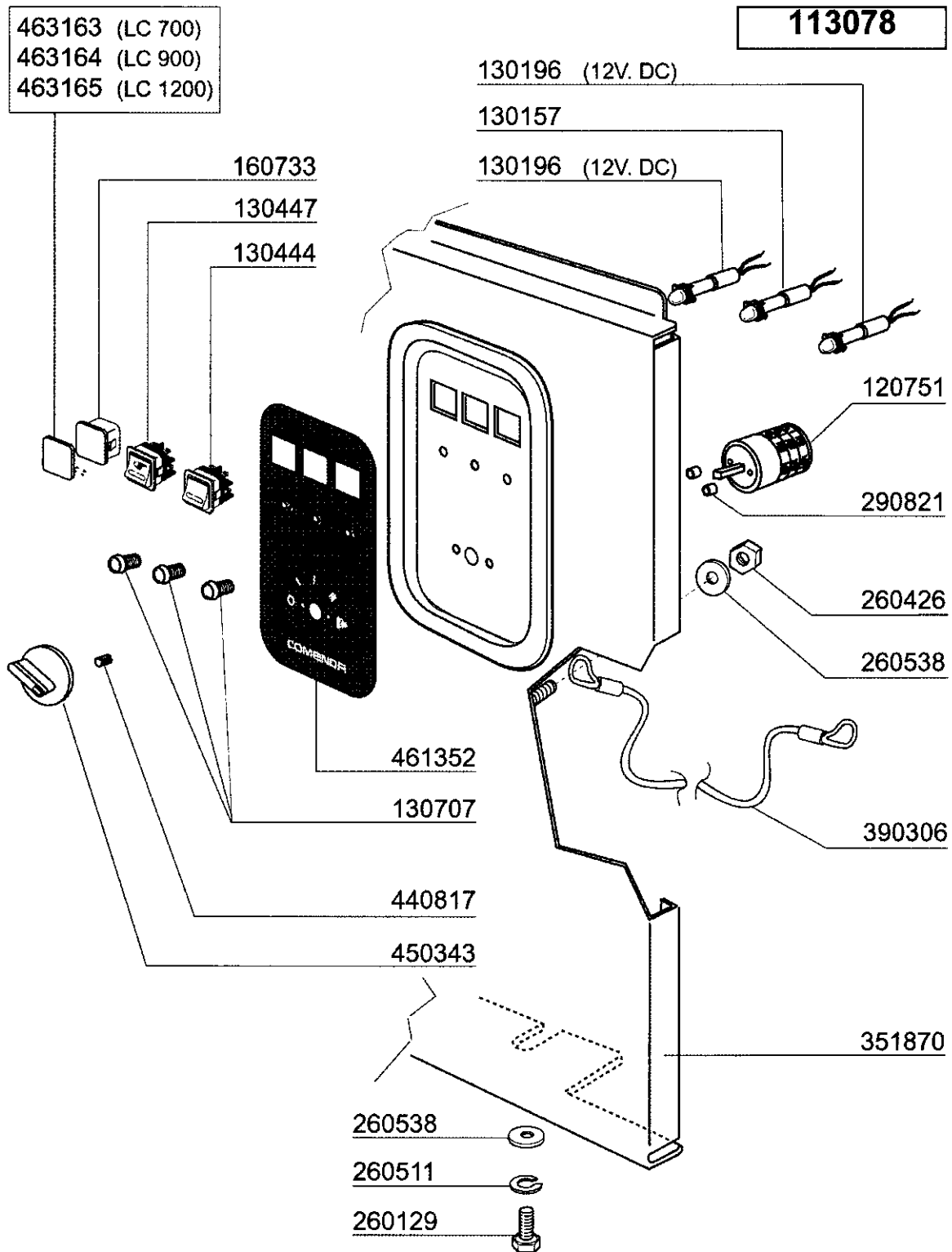
100802

230V - 50 Hz
Kw 0,2
(ZF131 DX)

01 - 2004 | S. AG.

LC900BT

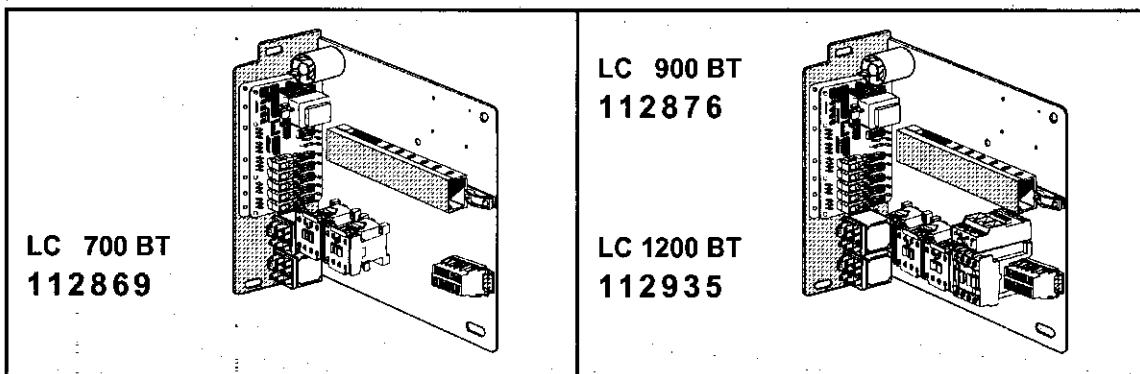
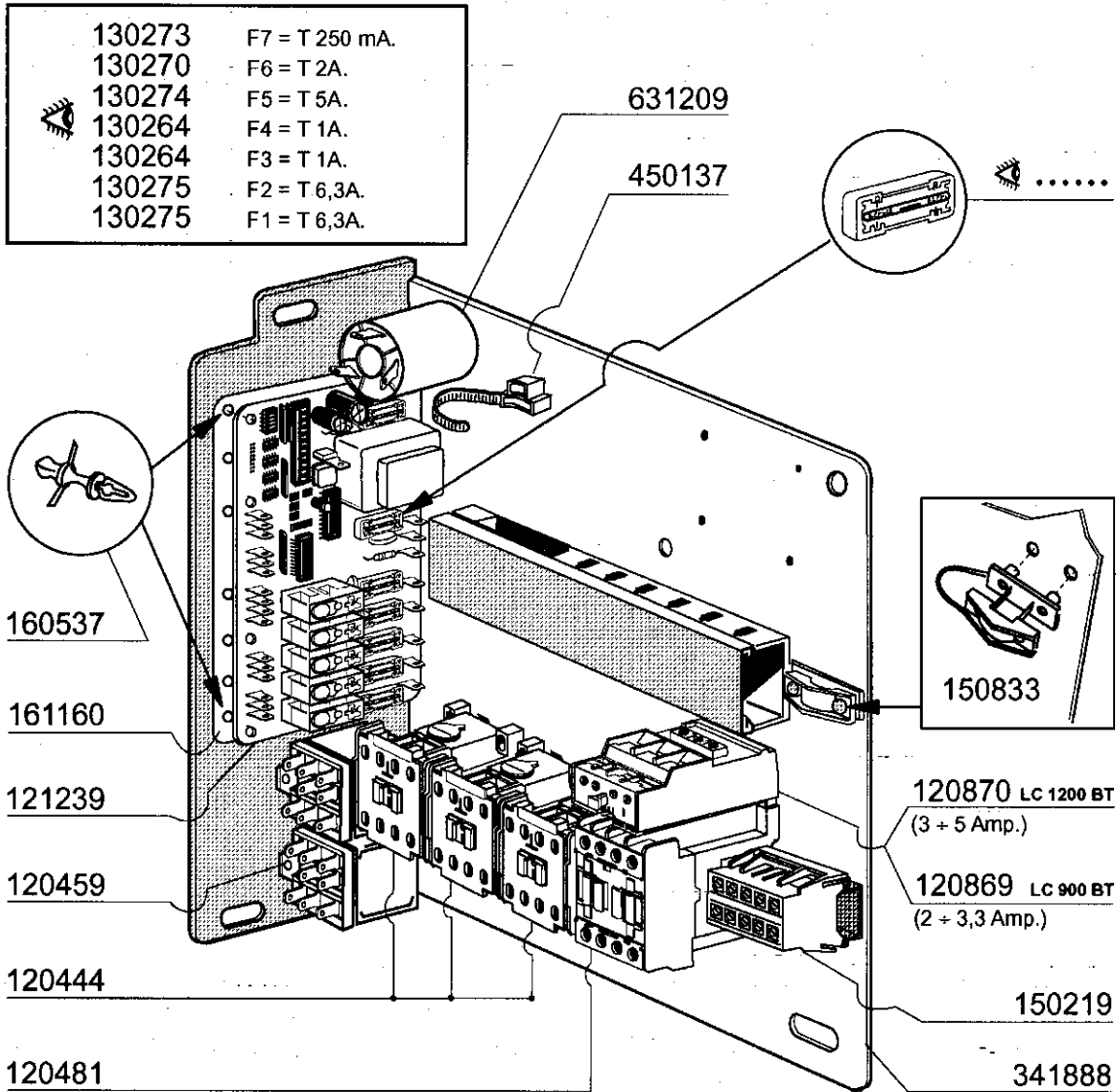
Control panel



05 2005 | S. AG.

LC900BT

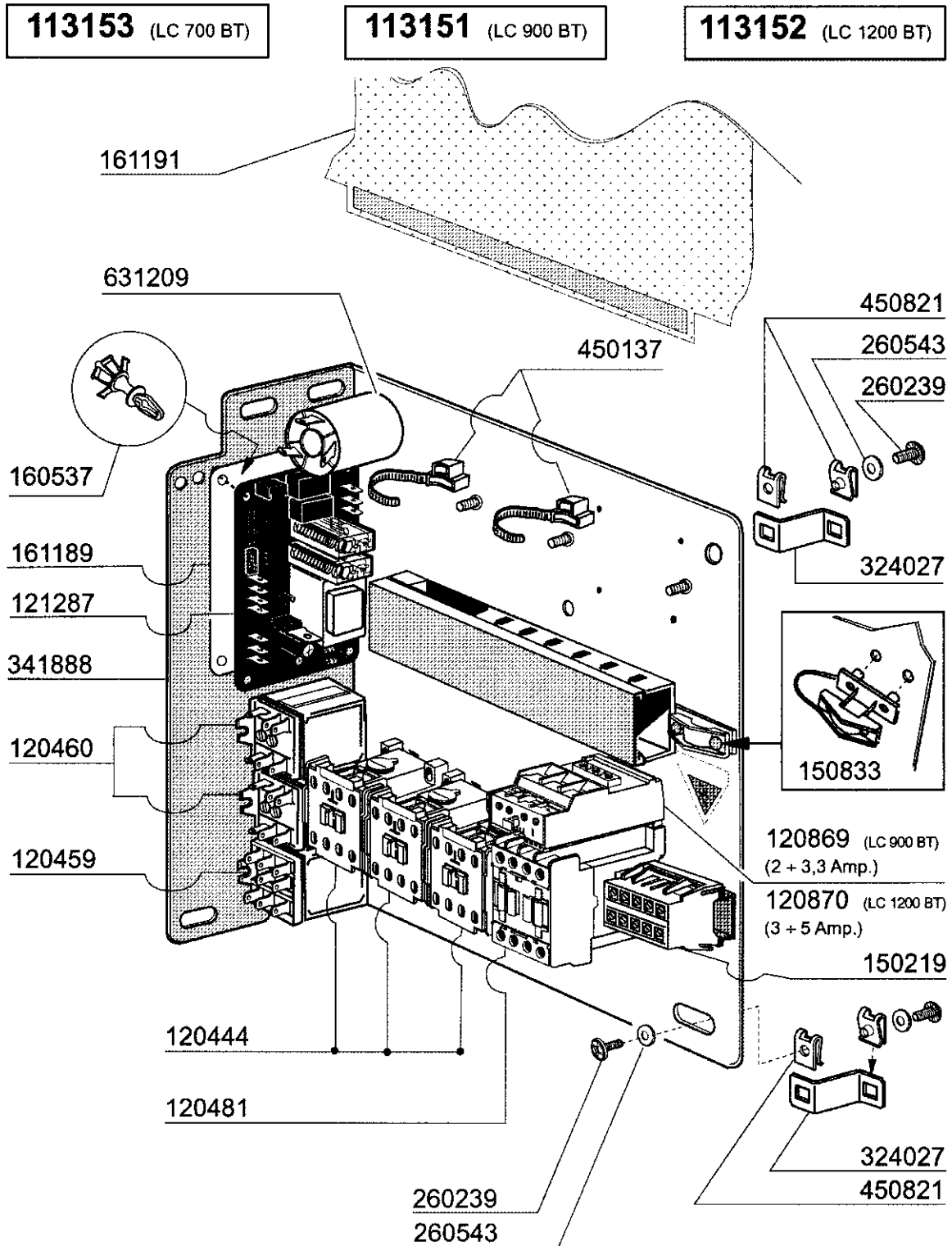
Control box



01 - 2004 | S.A.G.

LC900BT

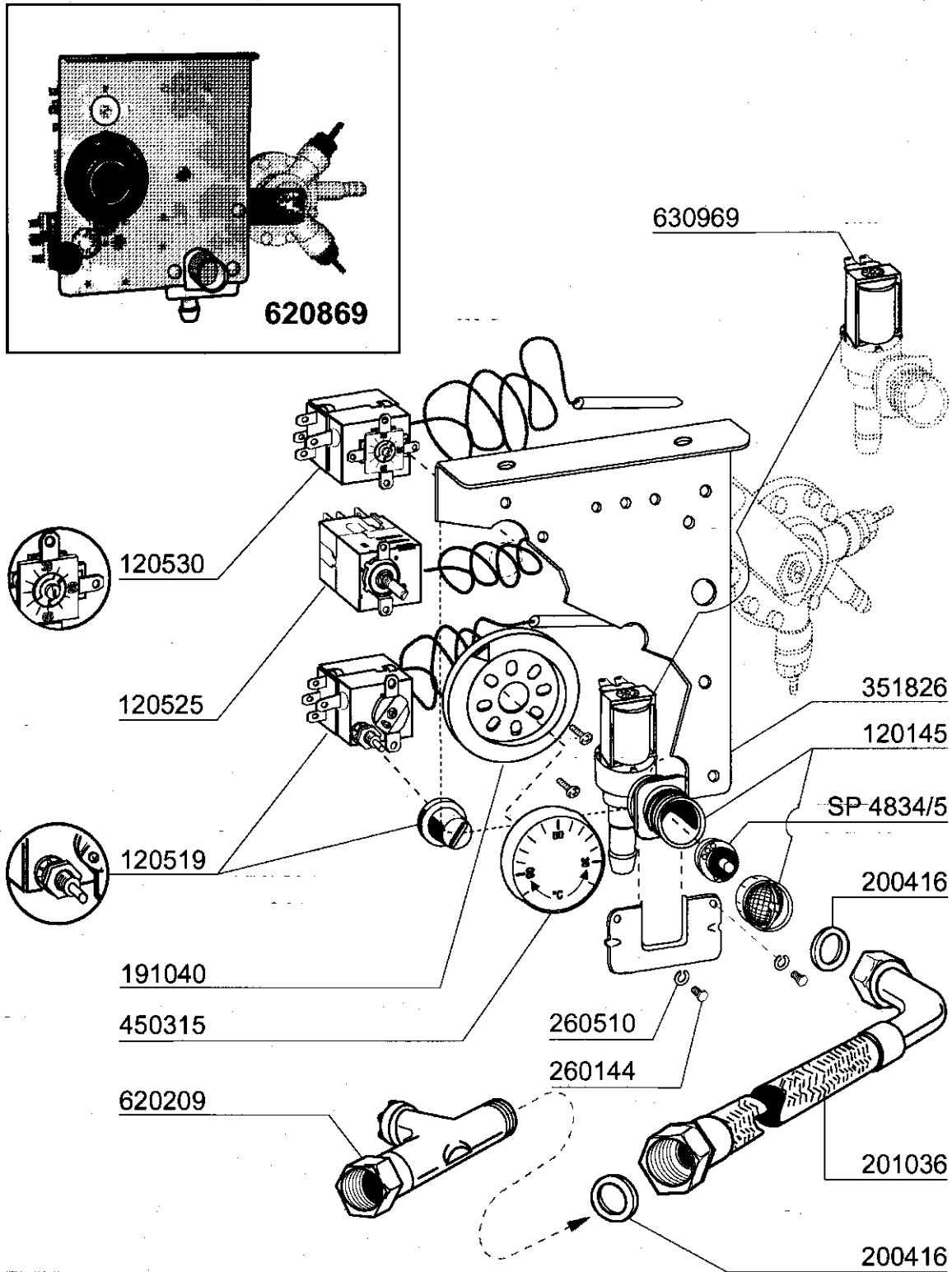
Control box



05 - 2005 | S. AG.

LC900BT

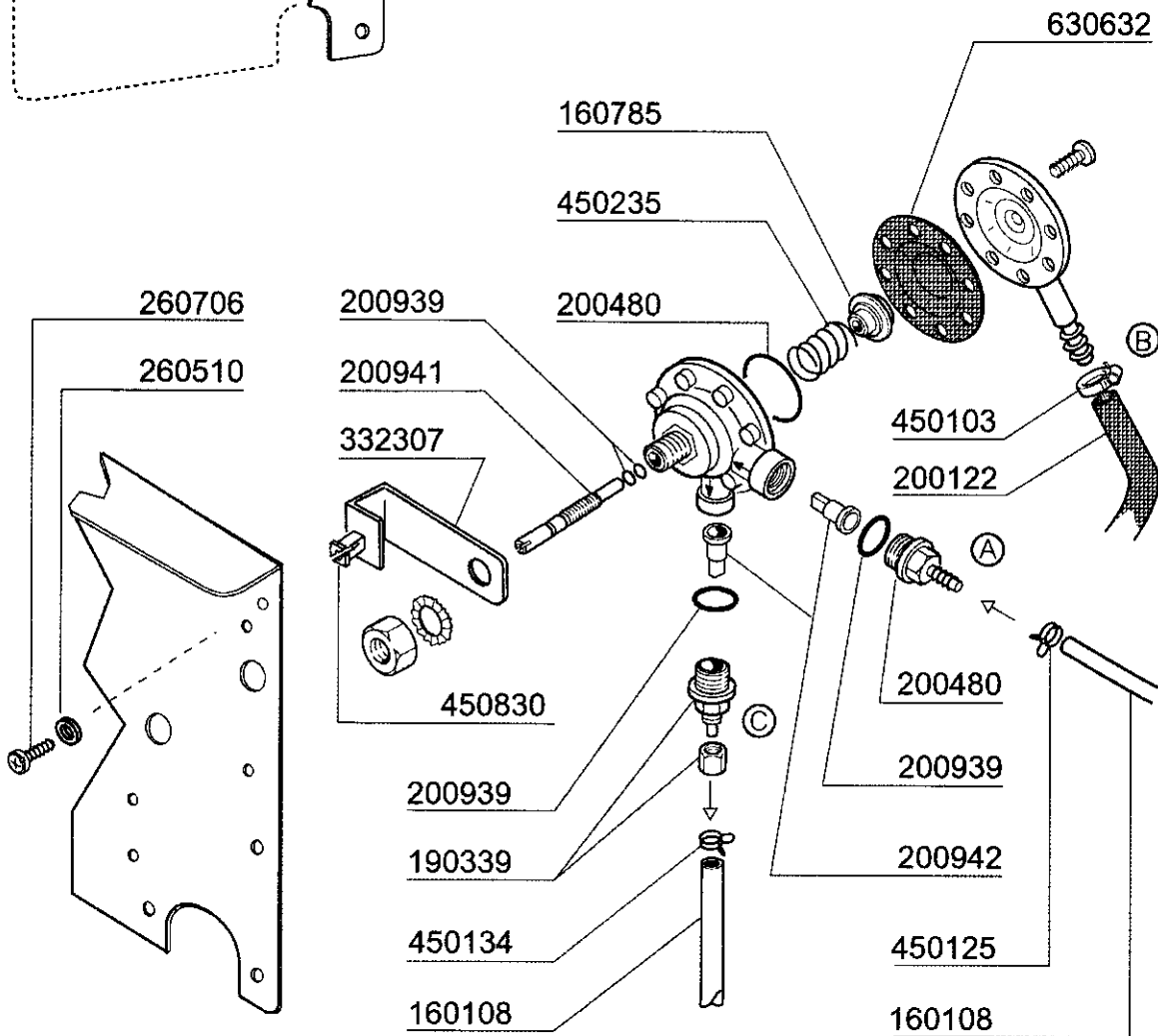
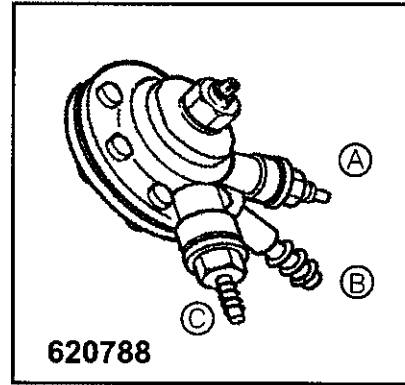
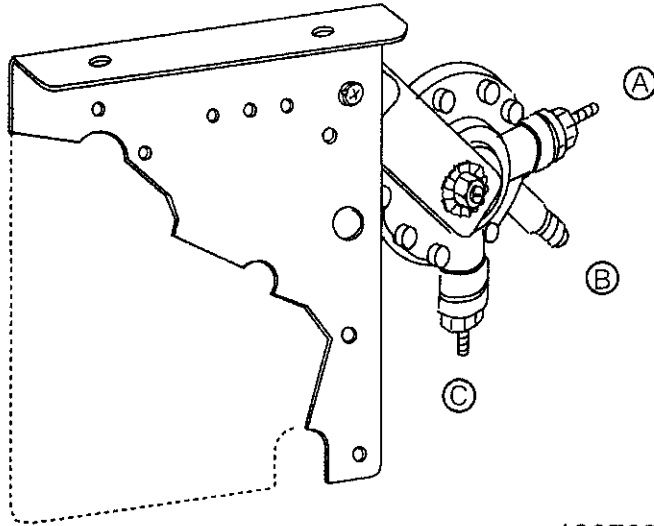
Thermostat/solenoid valve group



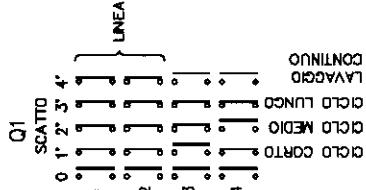
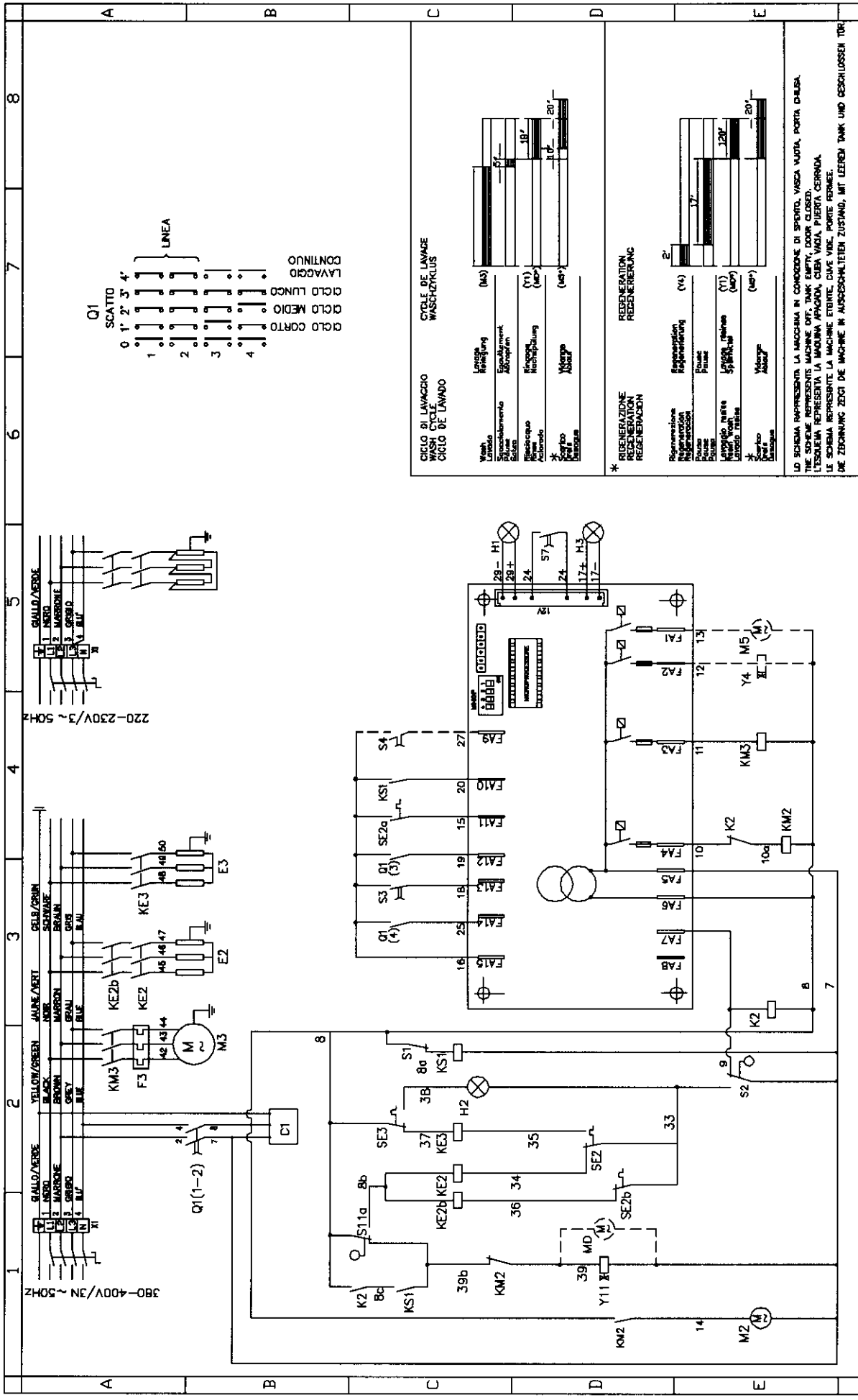
04 - 2004 S. AG.

LC900BT

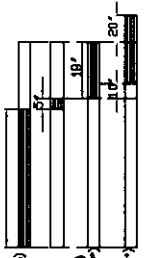
Rinse aid injector



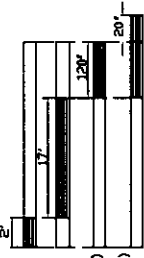
01 - 2004 S. AG.



CICLO DI LAVAGGIO
WASH CYCLE
CICLO DE LAVADO
WASCHZYKLUS



* RIGENERAZIONE
REGENERATION
REGENERATION



LO SCHEMA RAPPRESENTA LA MACCHINA IN CONDIZIONE DI SPERIMENTO, VEDIAMO VUOTA, PORTA CHIUSA.
THE SCHEMATIC REPRESENTS THE MACHINE WITH AN EMPTY TANK, WITH THE DOOR CLOSED.
LE SCHEMA REPRESENTE LA MACHINE ETIENNE, CLASSE VIDE, PORTE FERMEE.
DIE ZEICHNUNG ZEIGT DIE MASCHINE IN AUSGESCHLUSSENEN ZUSTAND, MIT LEEREM TANK UND GESCHLOSSENEN TOR.

DATE	02/08/04	DRAWING	LC900-LC1200 BT
SIGNATURE	M. Gardella		
LEGEND CODE	LgBFCC		
MOD.	<input checked="" type="checkbox"/> ARCHIVE REF. <input checked="" type="checkbox"/> K3 (electrical schem. in I/G) CODE N° ELC00075		

AVV. CICLO	RIGENERA.	TEMPI	CICLO
MINIDIP 1	MINIDIP 2		MINIDIP 3
AUTOMATICO ON	ATTIVA ON	57' 20"/120"	ON ON
MANUALE OFF	DISATTIVA OFF	65' 100"/150"	ON OFF
		80' 120"/180"	OFF ON
		75' 120"/180"	OFF OFF