

# easicook.co.uk

## Spare Parts Manual

Leading UK Distributors  
of Catering Equipment Since 1977

Sales - Repairs - Spares

Tel: 029 20747567

Fax: 029 20214100

Email: [info@easicook.co.uk](mailto:info@easicook.co.uk)

[Click Here for Live Online Chat](#)

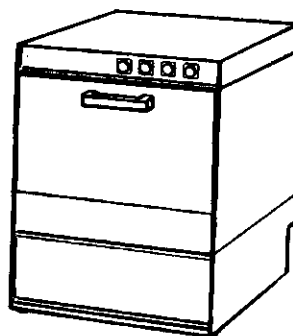
PARTI DI RICAMBIO  
PIECES DETACHEES  
SPARE PARTS  
ERSATZTEILE  
LISTA DE RECAMBIOS

**LBC 210**

10/97

**LBC 215**  
**LBC 215 A**  
**LBC 275**  
**LBC 275 A**

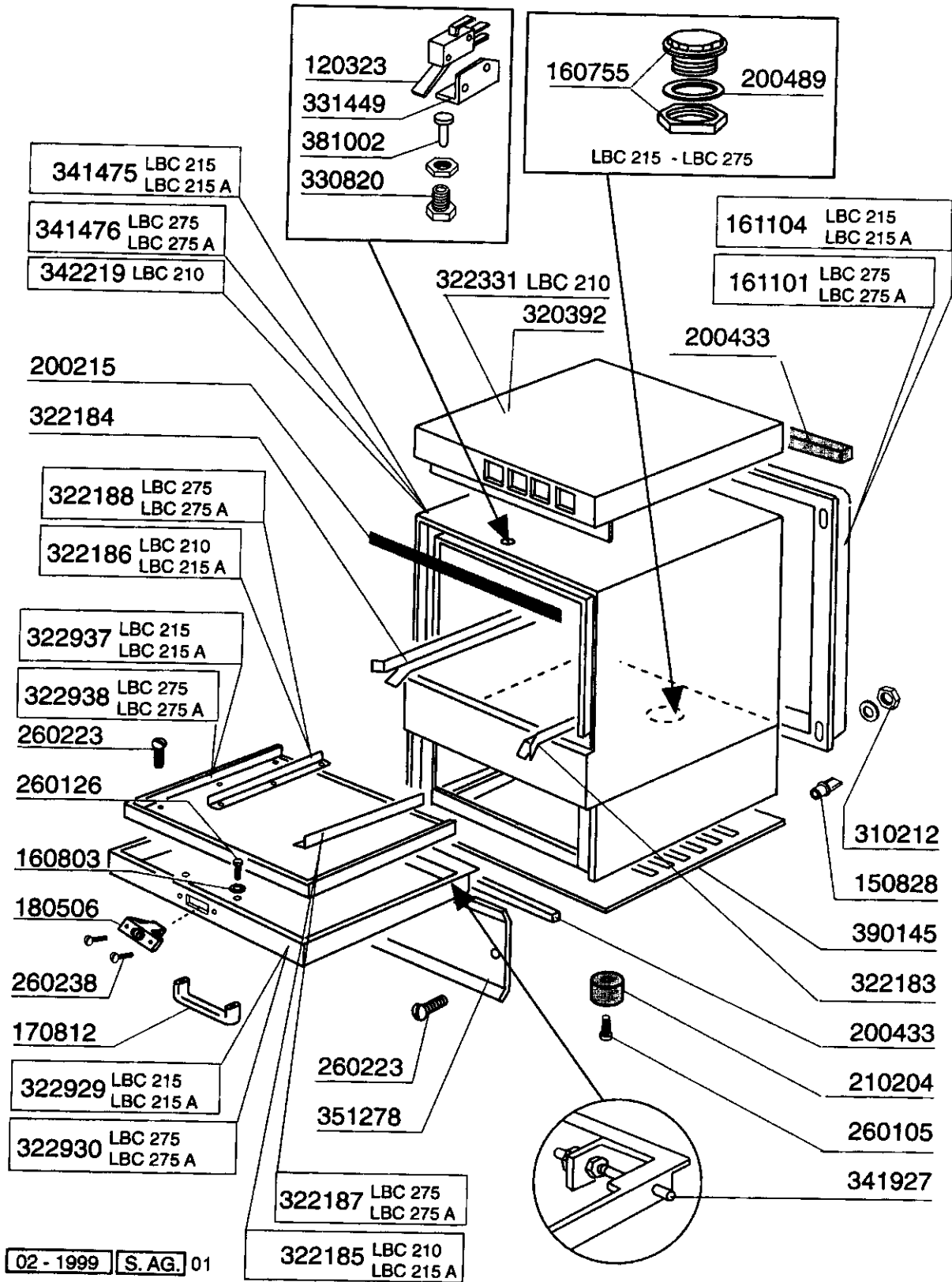
9/94



02 - 1999 S. AG.

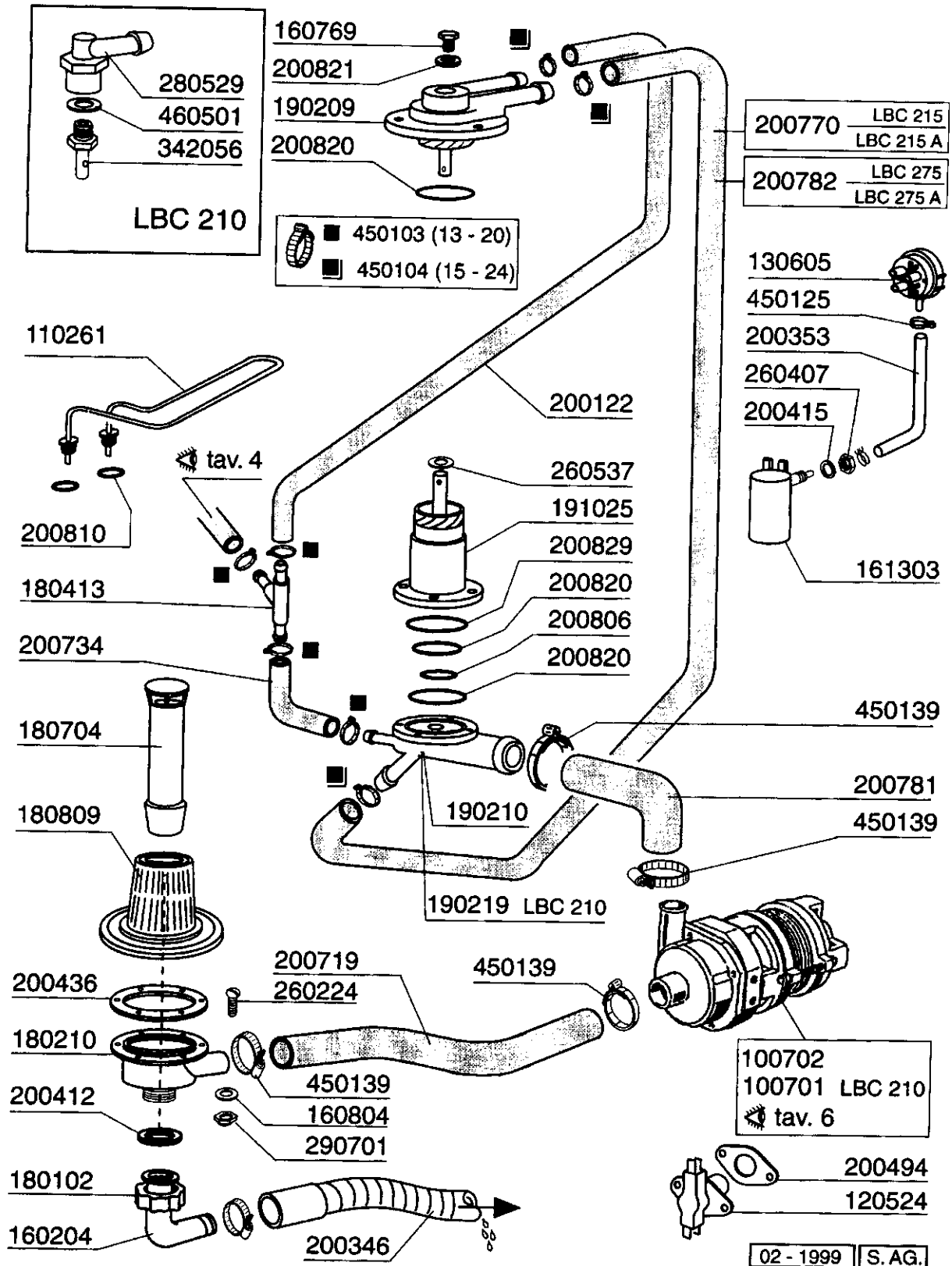
**LBC215**

**Hood**



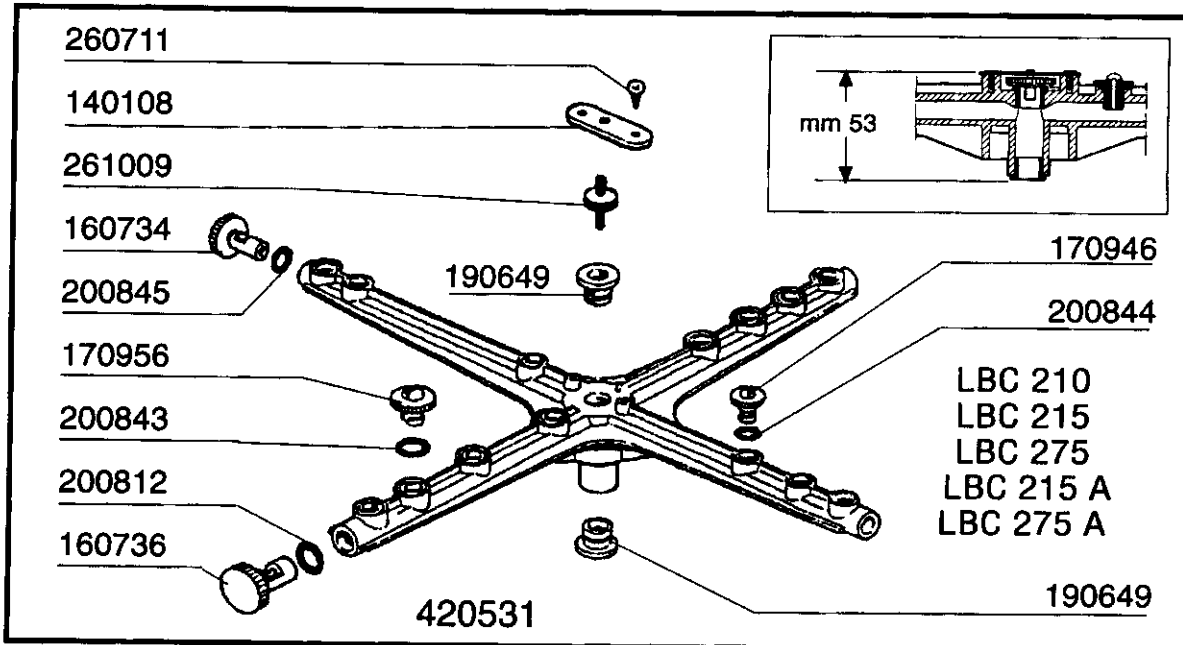
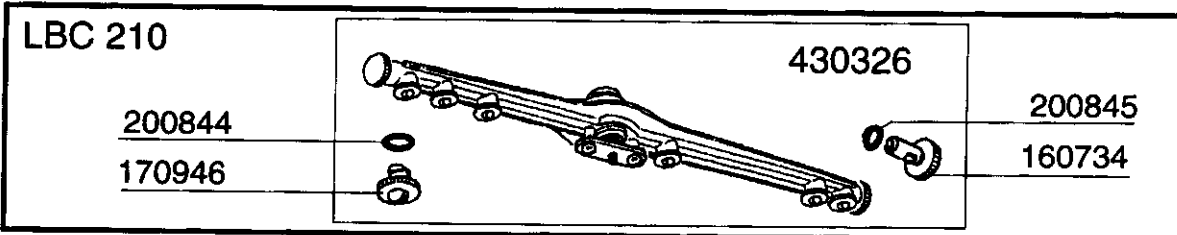
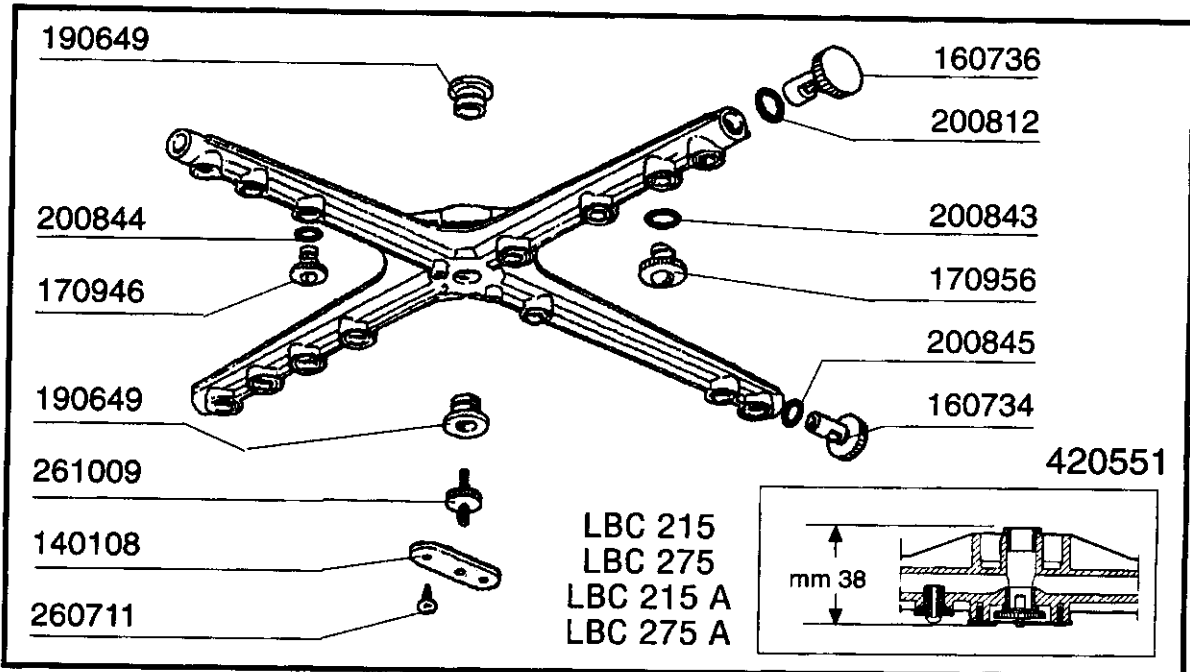
**LBC215**

Wash



**LBC215**

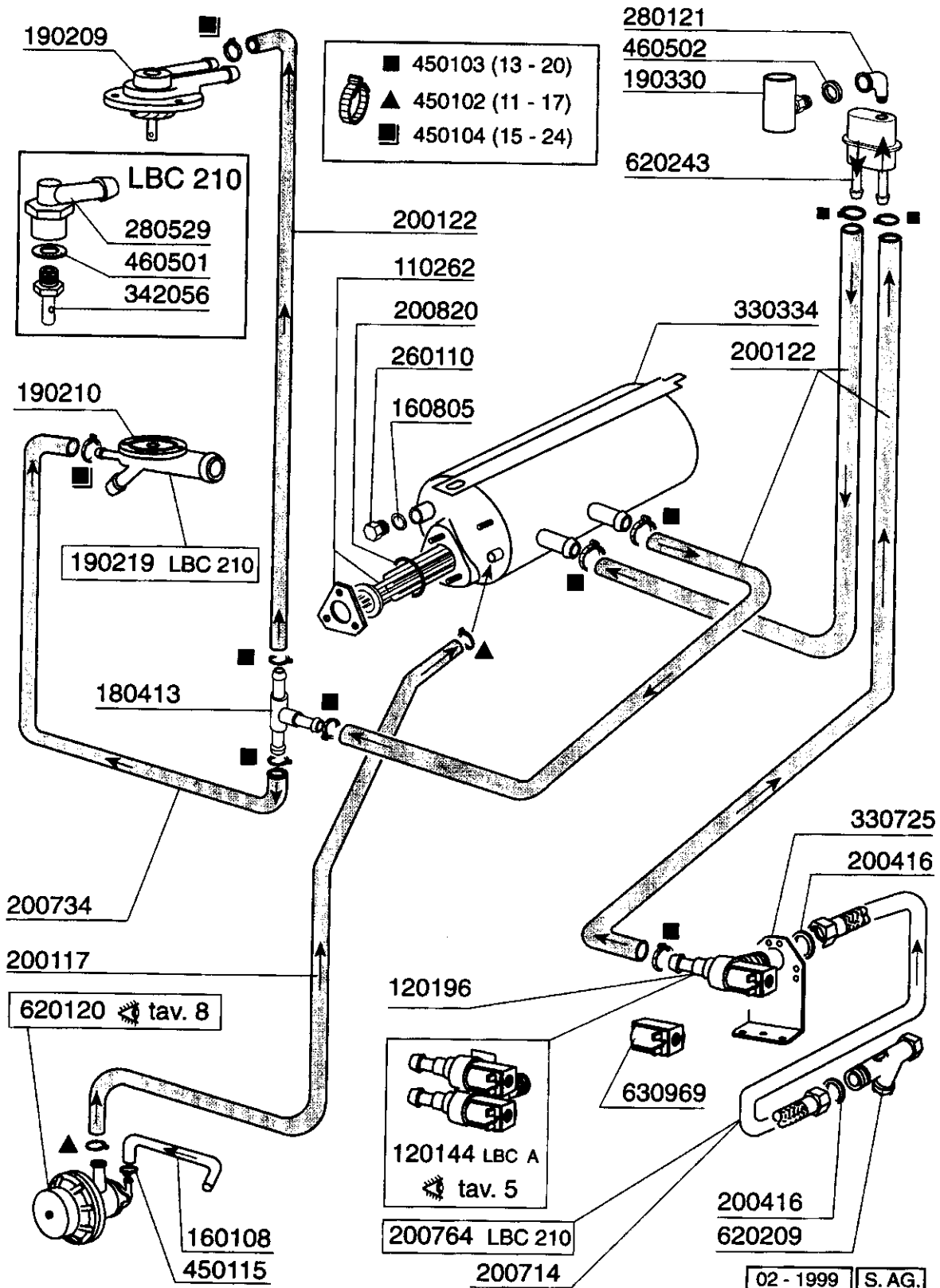
Wash arm



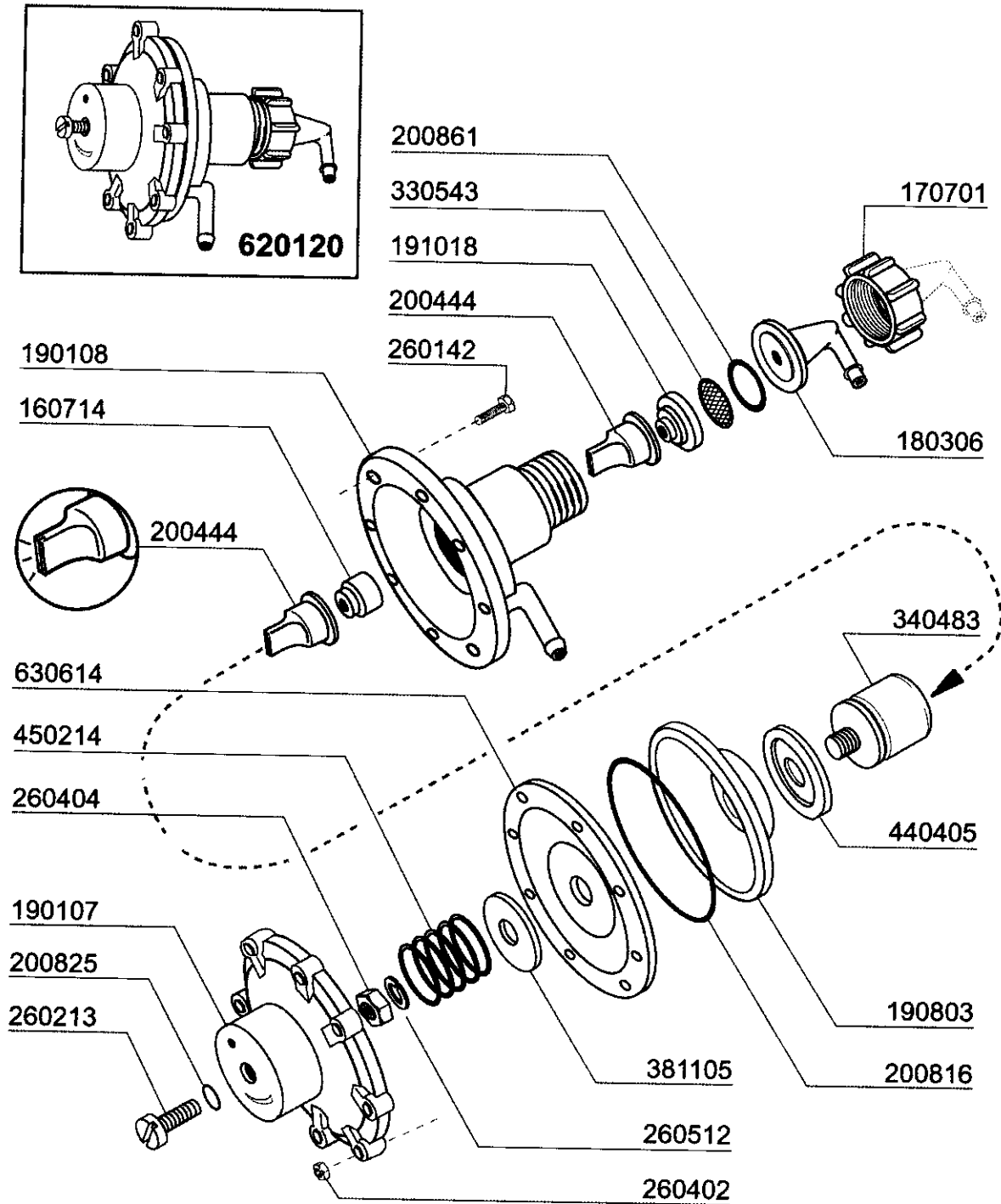
02 - 1999 S. AG.

**LBC215**

Rinse assembly



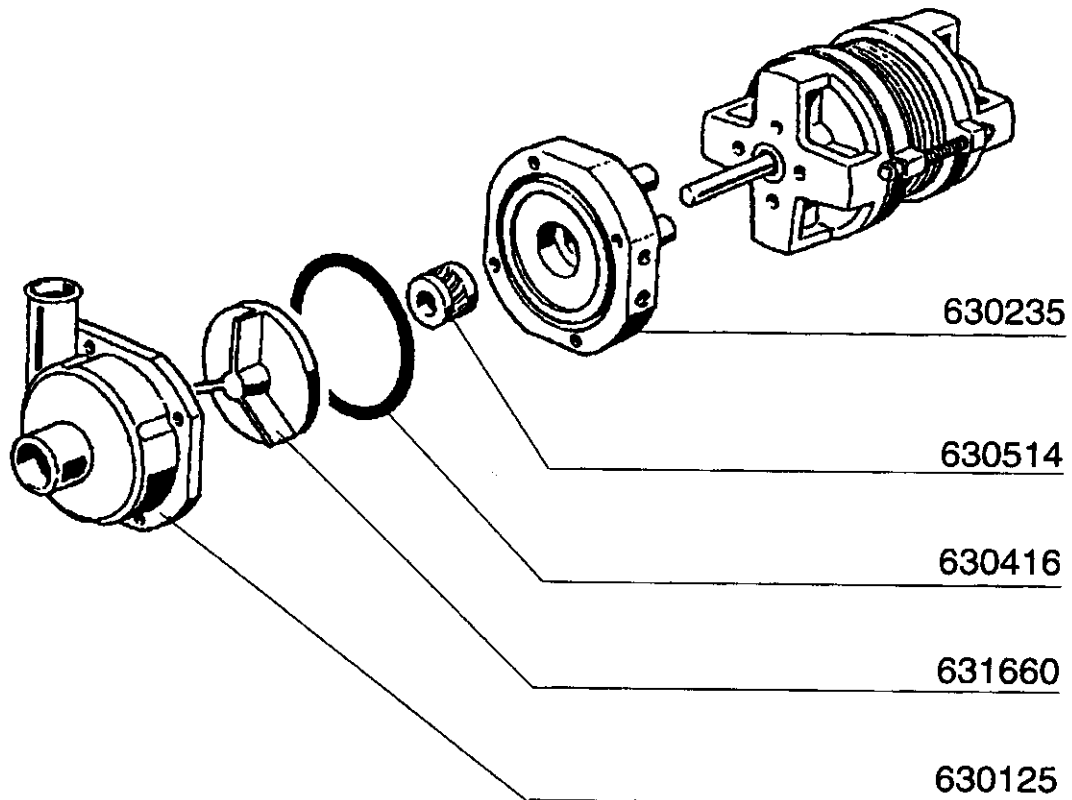
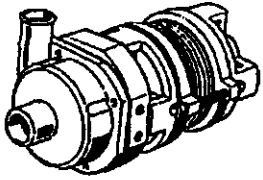
**LBC215**  
Rinse aid injector



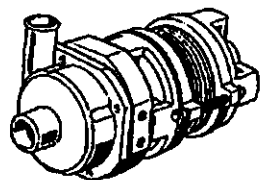
02 - 2004 S. AG.

**LBC215**


Wash pump

**100702**  
220/240 V  
50 Hz HP 0,3  
Kw 0,22



**100701**  
220/240 V  
50 Hz HP 0,2  
Kw 0,15

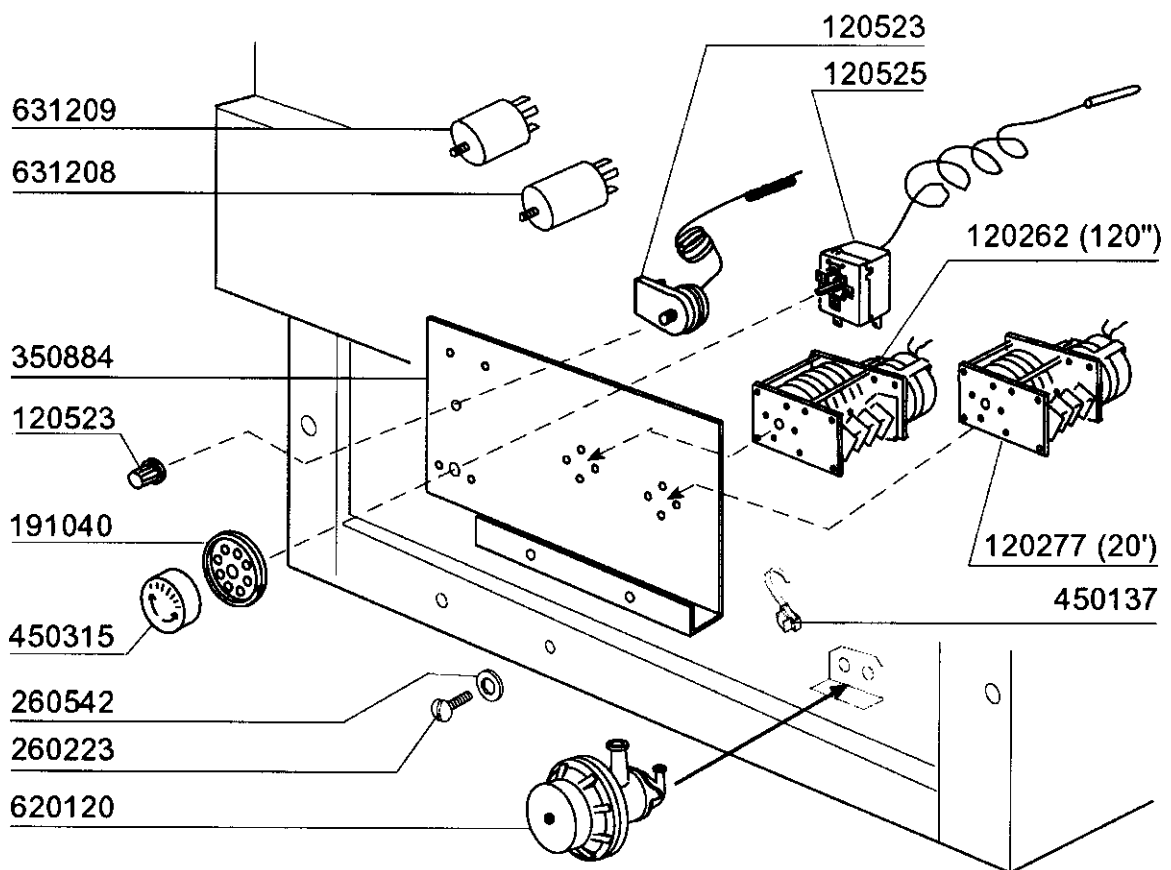
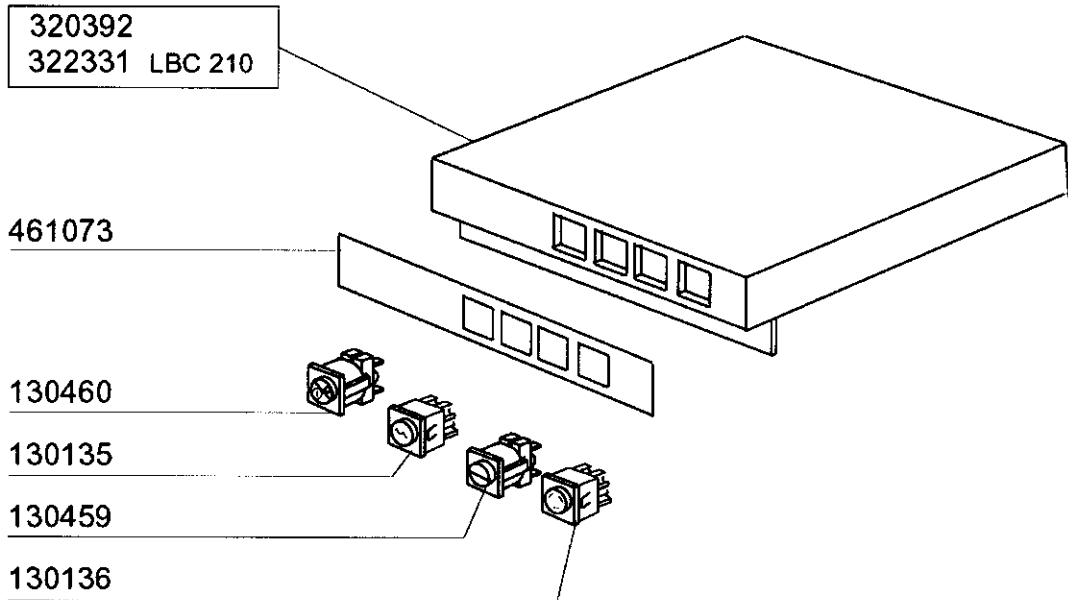


**631208**  
( 5 $\mu$ F )



**LBC215**

Control box



02 - 2001 S. AG.