

# easicook.co.uk

## Spare Parts Manual

Leading UK Distributors  
of Catering Equipment Since 1977

Sales - Repairs - Spares

Tel: 029 20747567

Fax: 029 20214100

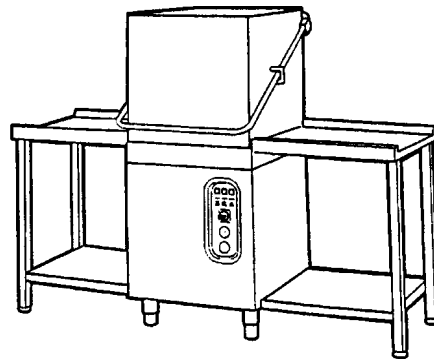
Email: [info@easicook.co.uk](mailto:info@easicook.co.uk)

[Click Here for Live Online Chat](#)

PARTI DI RICAMBIO  
PIECES DETACHEES  
SPARE PARTS  
ERSATZTEILE  
LISTA DE RECAMBIOS

**C 95**

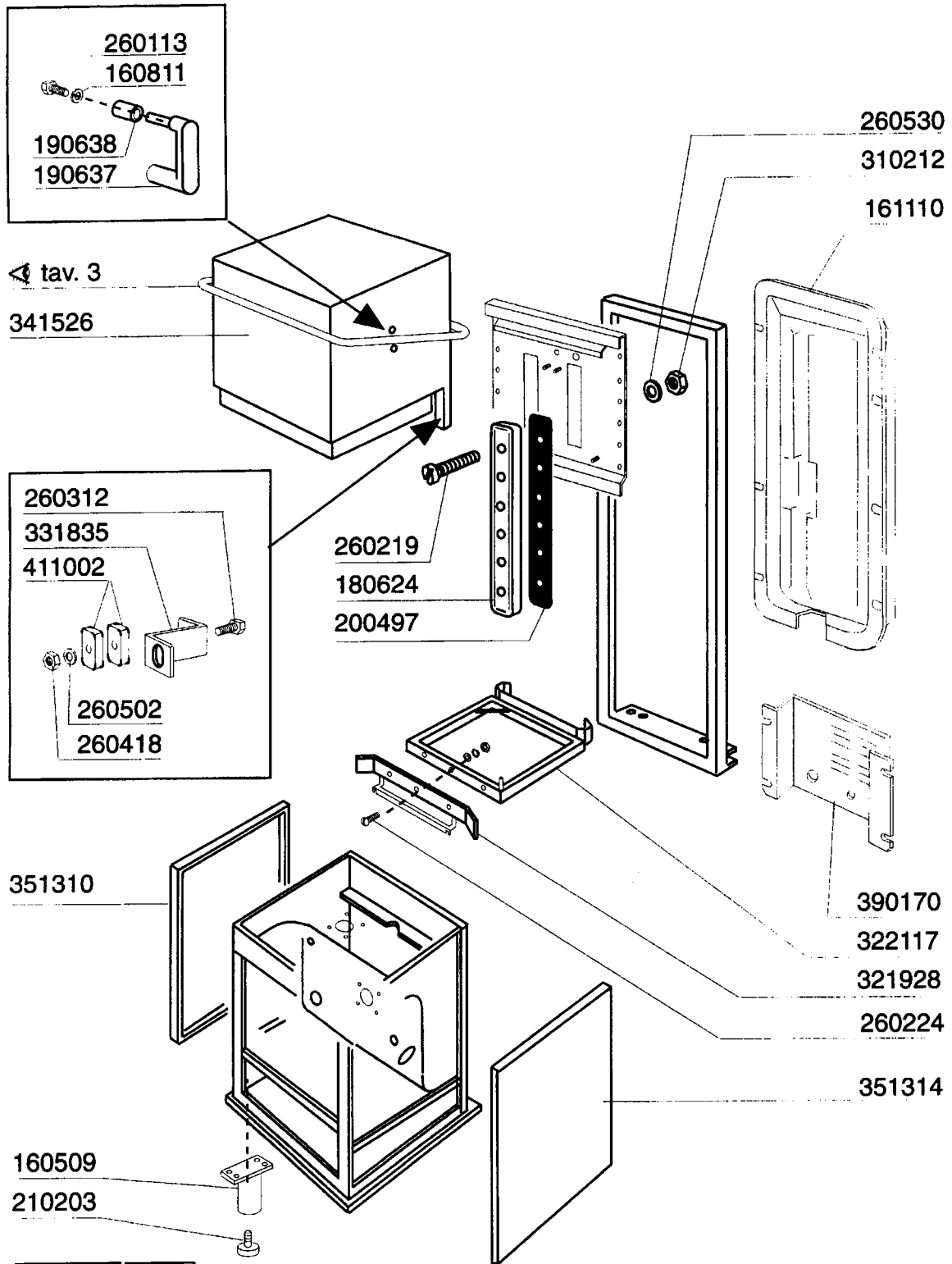
9/92



11 - 1998 S. AG.

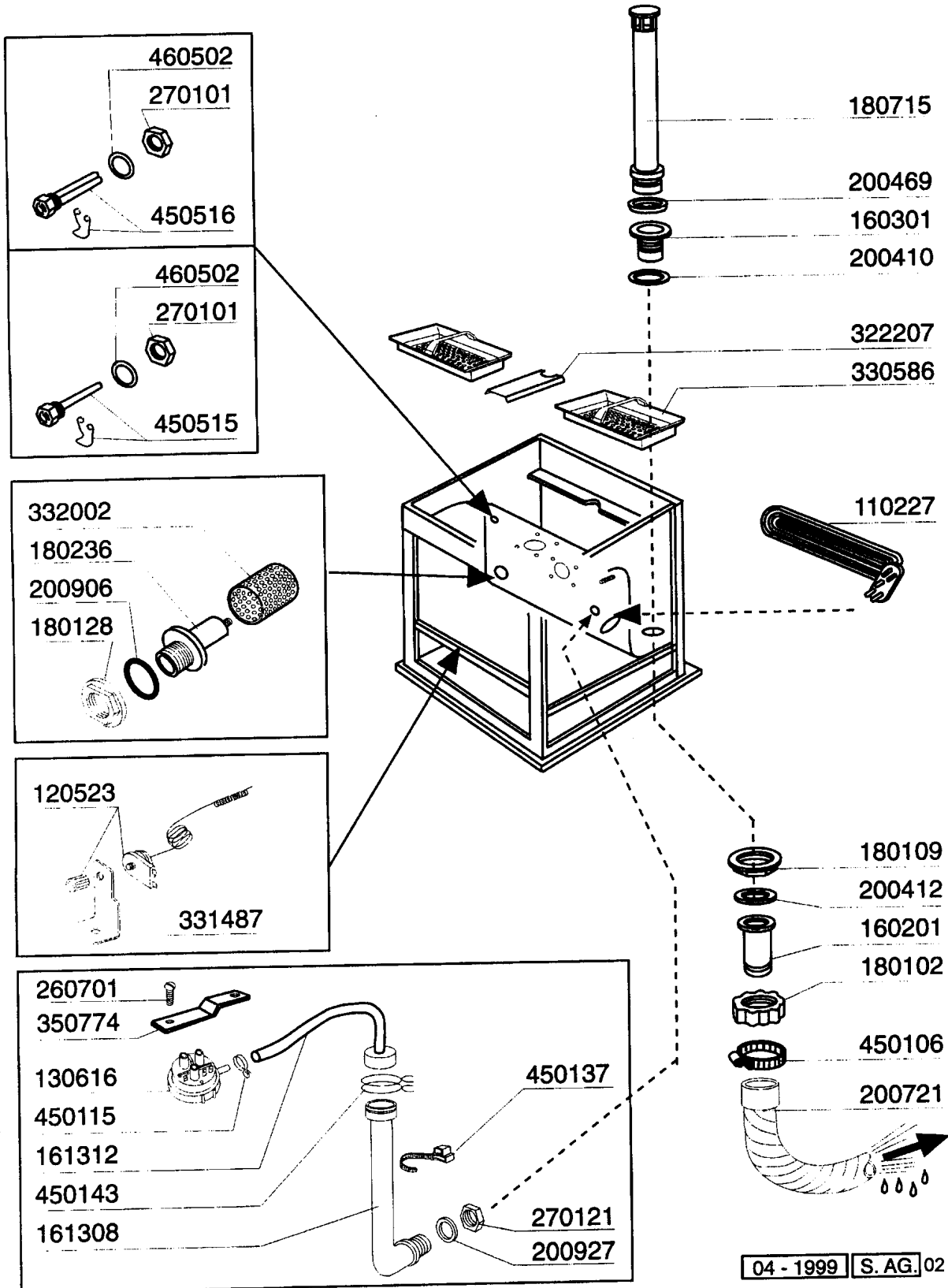
**C95**

**Hood/Tank**



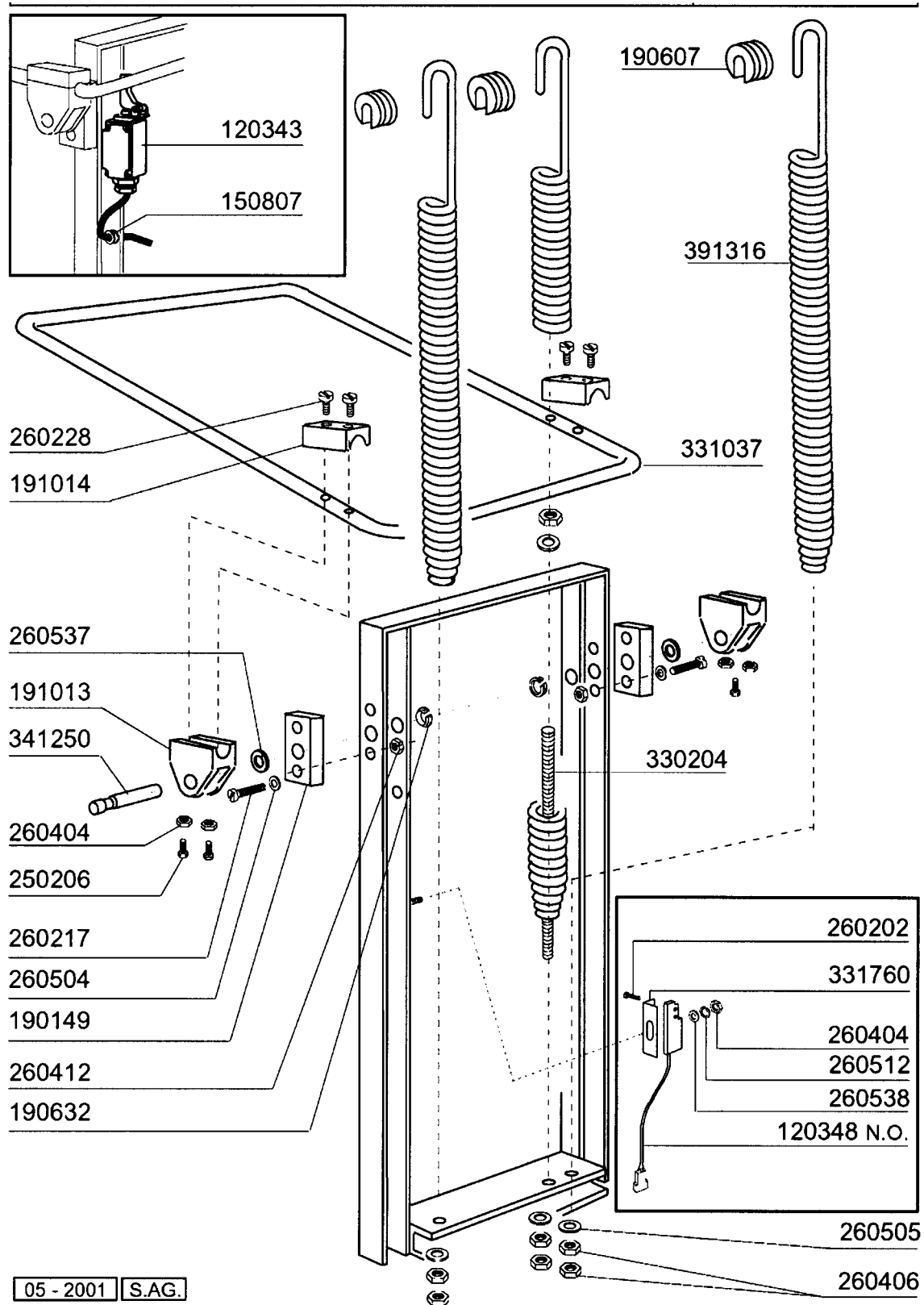
**C95**

**Tank**



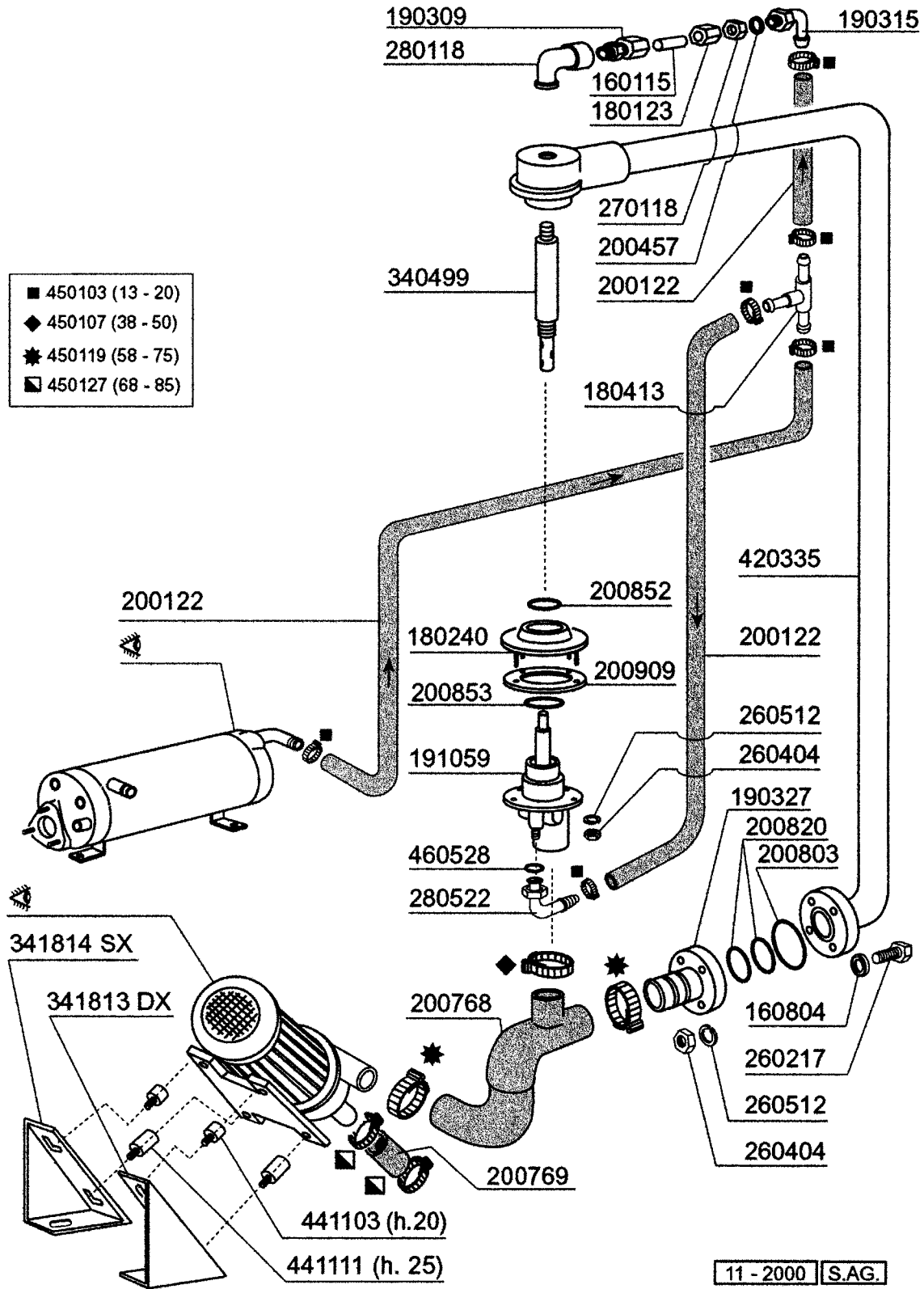
04 - 1999 | S. AG. 02

**C95**  
**Handle**



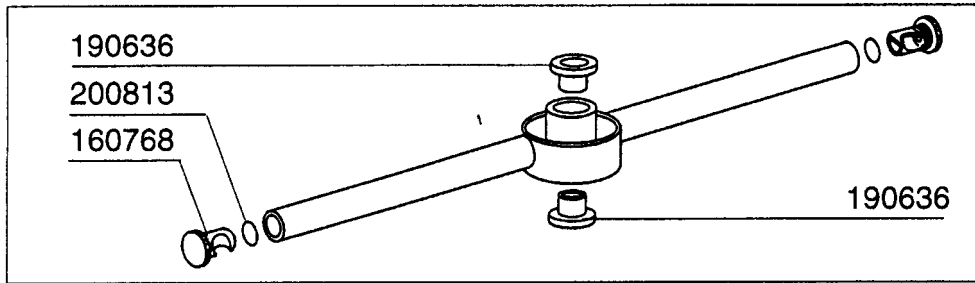
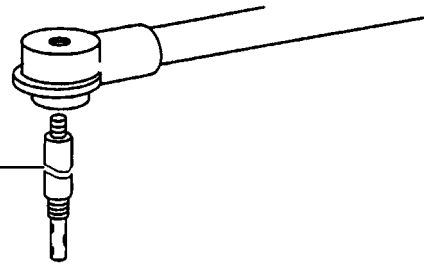
**C95**

**Wash/Rinse column**



**C95**  
Wash arm

340499



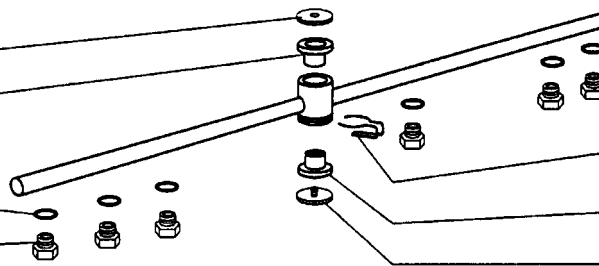
**420540**

280409

190641

200809

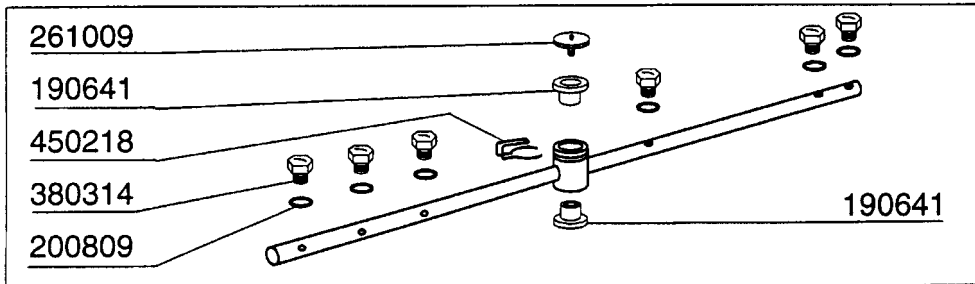
380314



450218

190641

261009



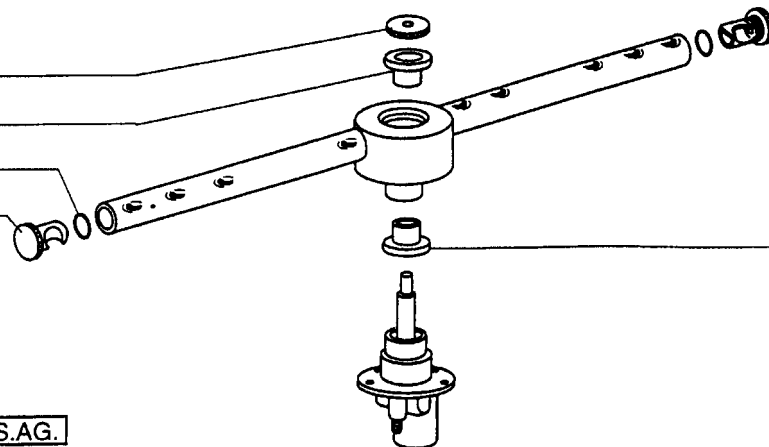
**430316**

280409

190636

200813

160768

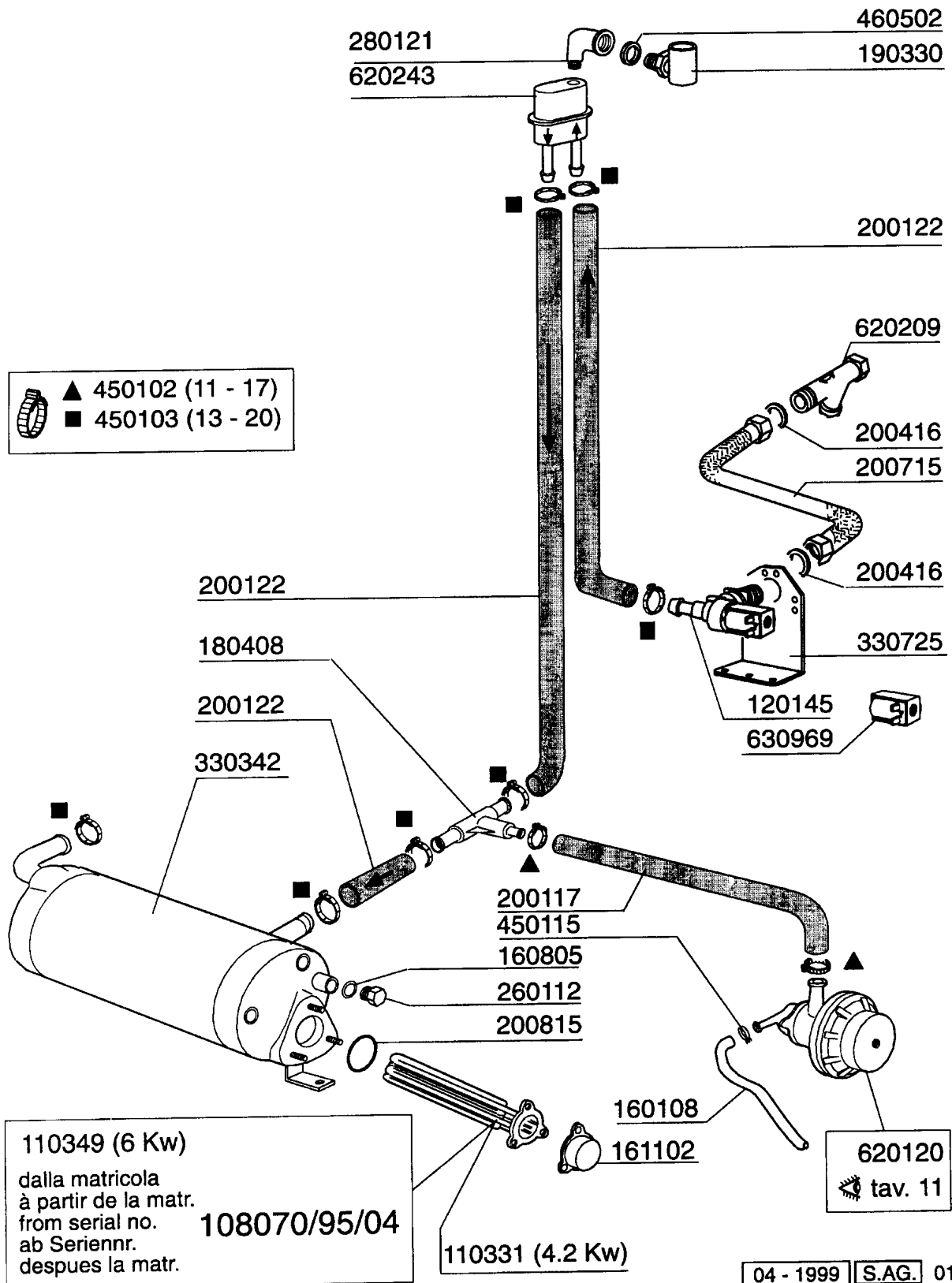


190636

11 - 1998 S.A.G.

**C95**

**Rinse assembly**

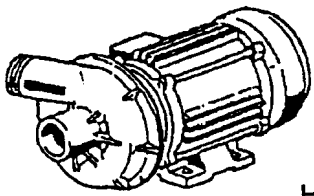




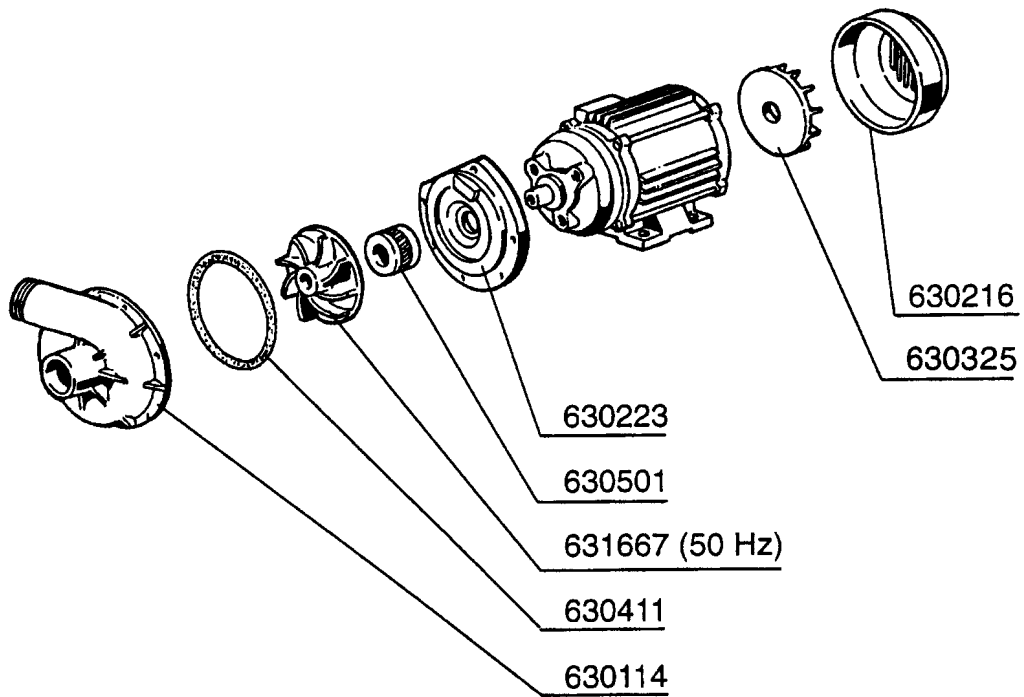
**C95**

**Pump**

100717	220 - 240 - 380 - 415/3	50 Hz
100719	220 - 240/1	50 Hz

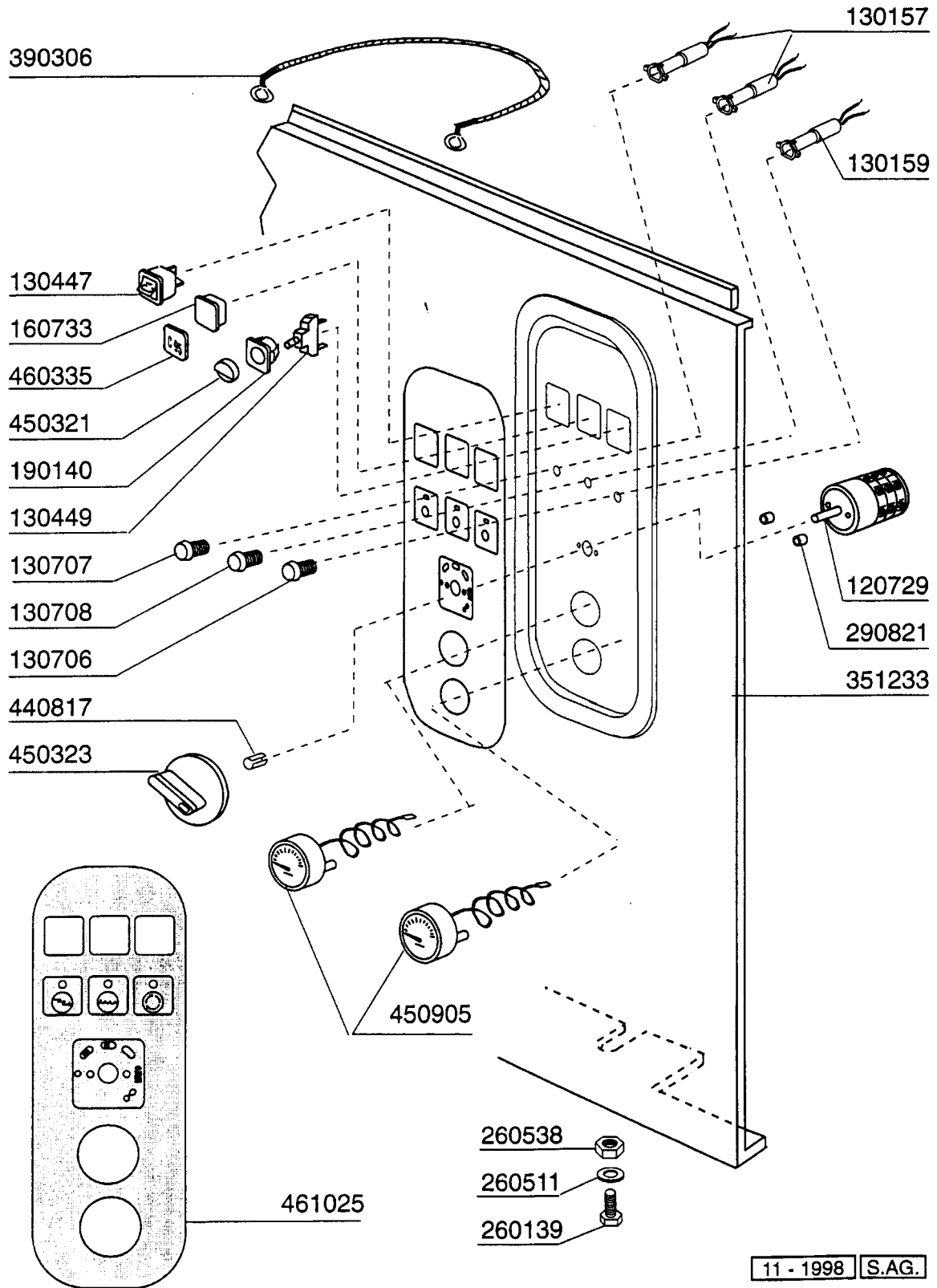


HP 1,5 - Kw 1,1 (2241)



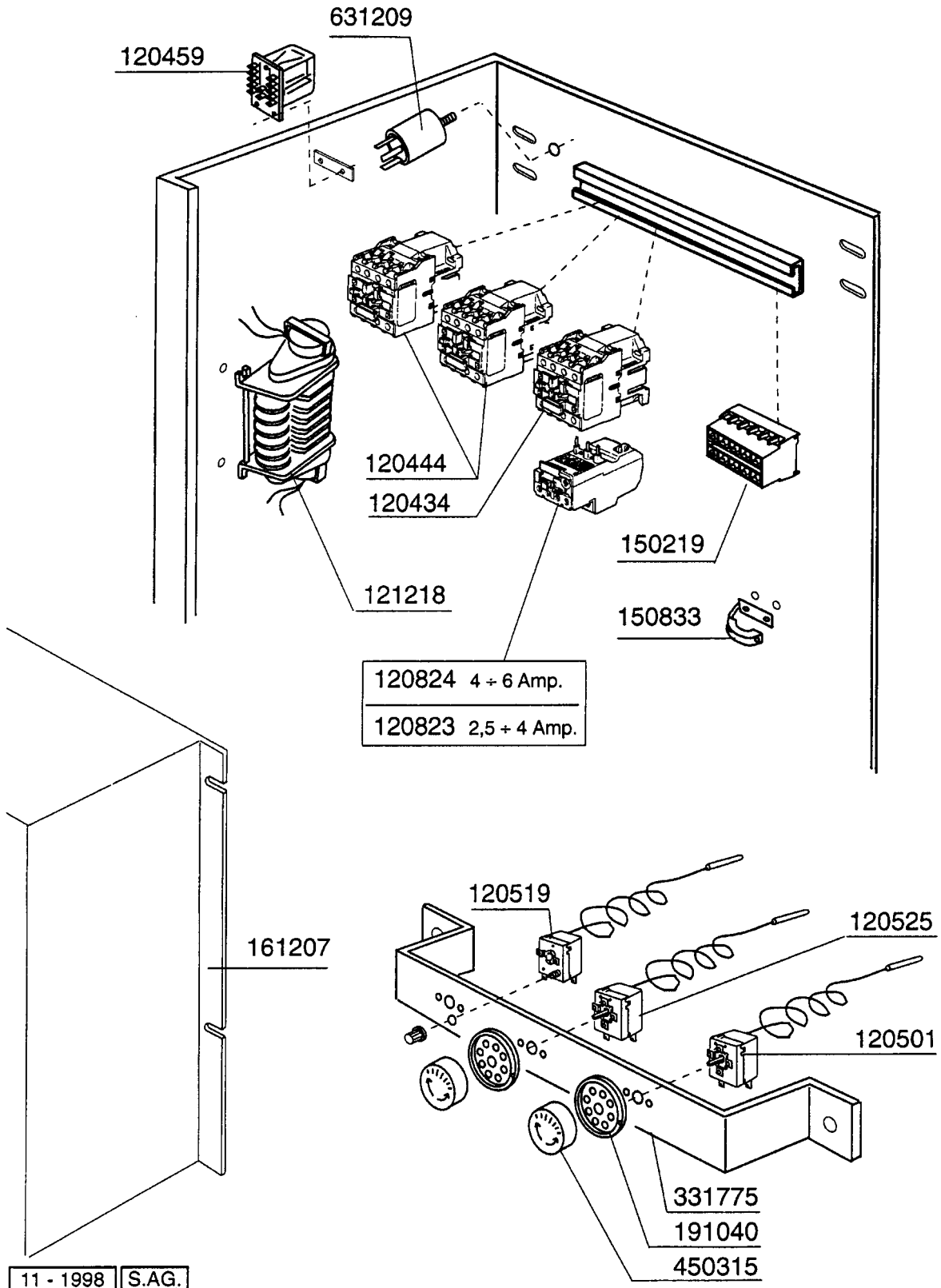
**C95**

**Control panel**



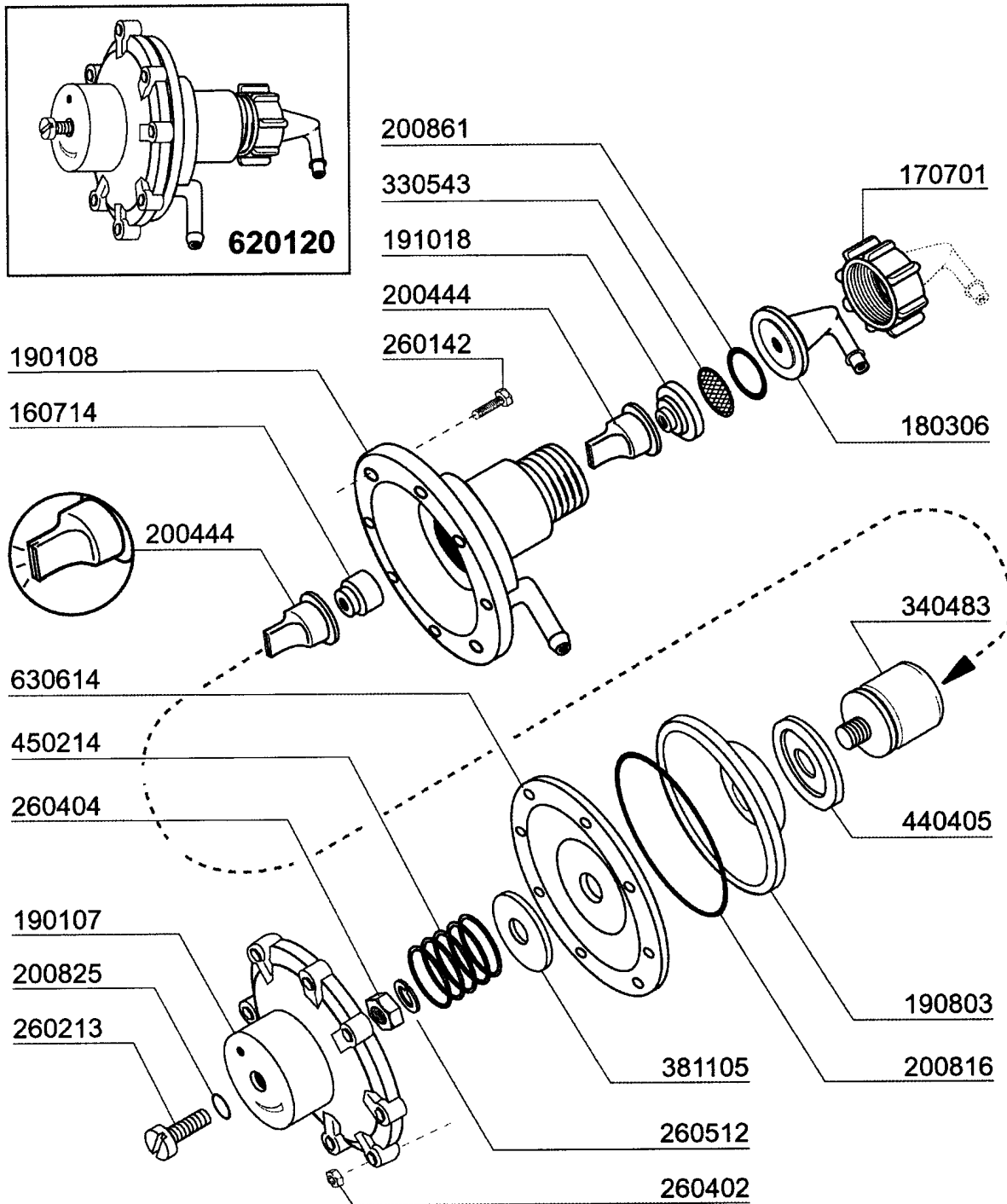
11 - 1998 S.A.G.

**C95**  
Control box



**C95**

**Rinse aid injector**



02 - 2004 | S. AG.