

easicook.co.uk

Spare Parts Manual

Leading UK Distributors
of Catering Equipment Since 1977

Sales - Repairs - Spares

Tel: 029 20747567

Fax: 029 20214100

Email: info@easicook.co.uk

[Click Here for Live Online Chat](#)

PARTI DI RICAMBIO
PIECES DETACHEES
SPARE PARTS
ERSATZTEILE
LISTA DE RECAMBIOS

C 34

03/94

DP1080

WHEN REQUESTING
PARTS

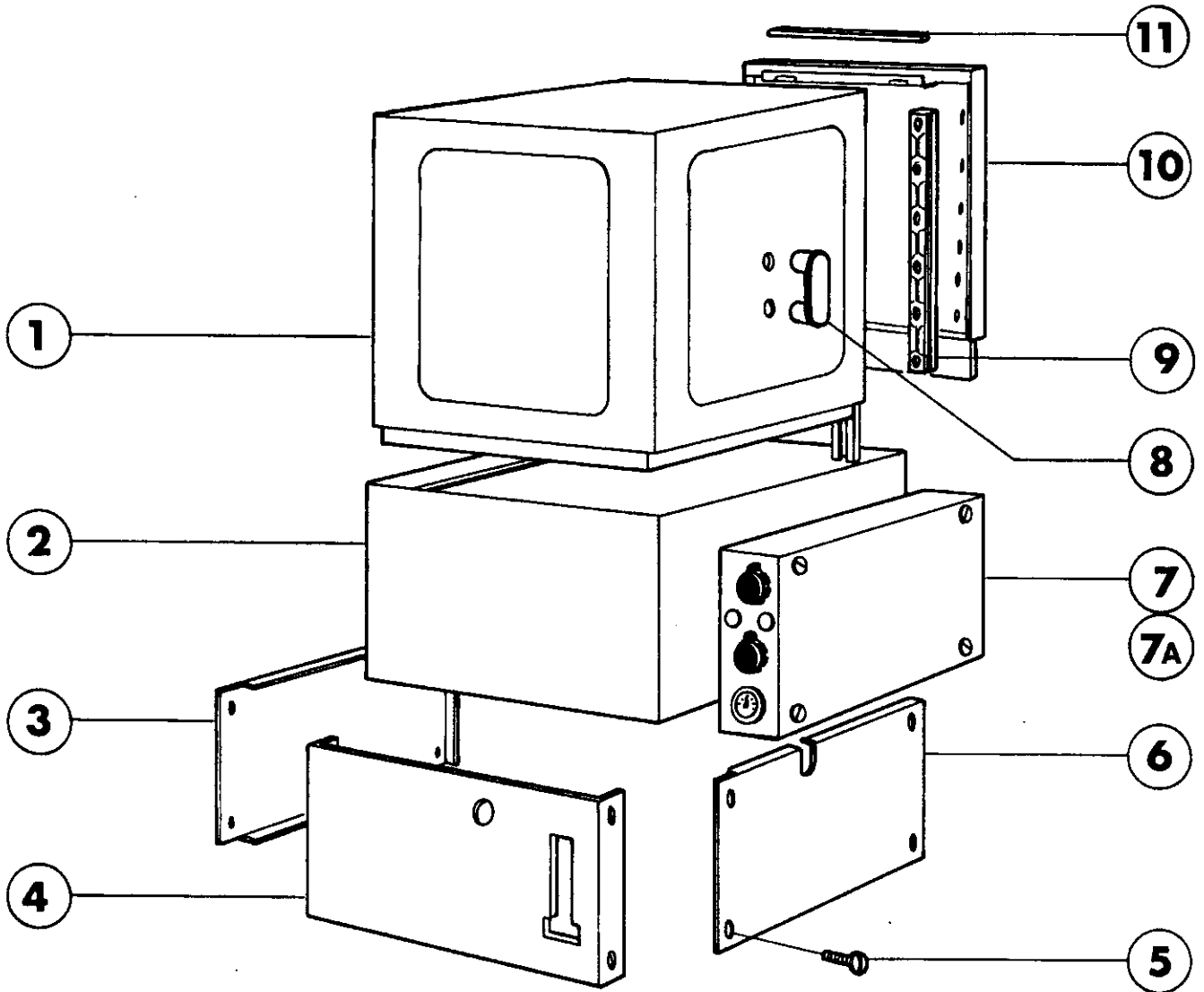
PLS QUOTE

1) ITEM NO.

2) TABLE NO.

C34

Hood

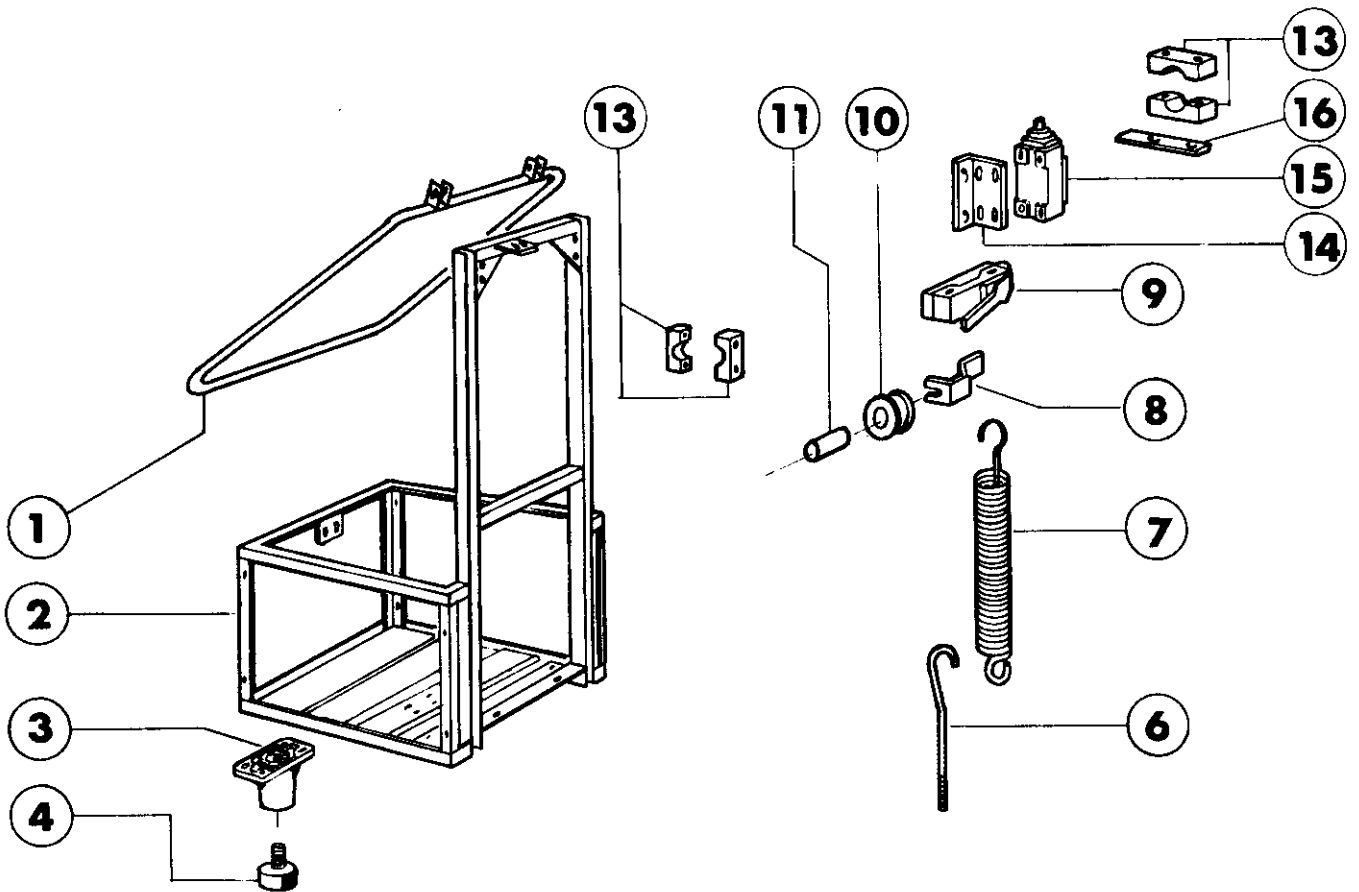


C34**Hood**

CODE	DESCRIPTION	PRICE (Eur)
110130	WIRING FOR C34 2°	0.00
110134	CABLAGE C34 VAPEUR	0.00
180604	GUIDE F. HOOD C33-34 GRAY	0.00
190608	RAIL	0.00
200432	SPONGY RUBBER ADHESIV 8X4 NEOP	0.00
260223	M5X12 MSH/HD SCREW SPECIAL S/S	0.00
340142	HOOD C34 II	0.00
340312	-SCHIENALE C34 II	0.00
340851	CUVE	0.00
350171	FRONT PANEL C34 2à	0.00
350264	RIGHT PANEL C34 2à	0.00
350265	LEFT PANEL C33-34 2à	0.00

C34

Handle

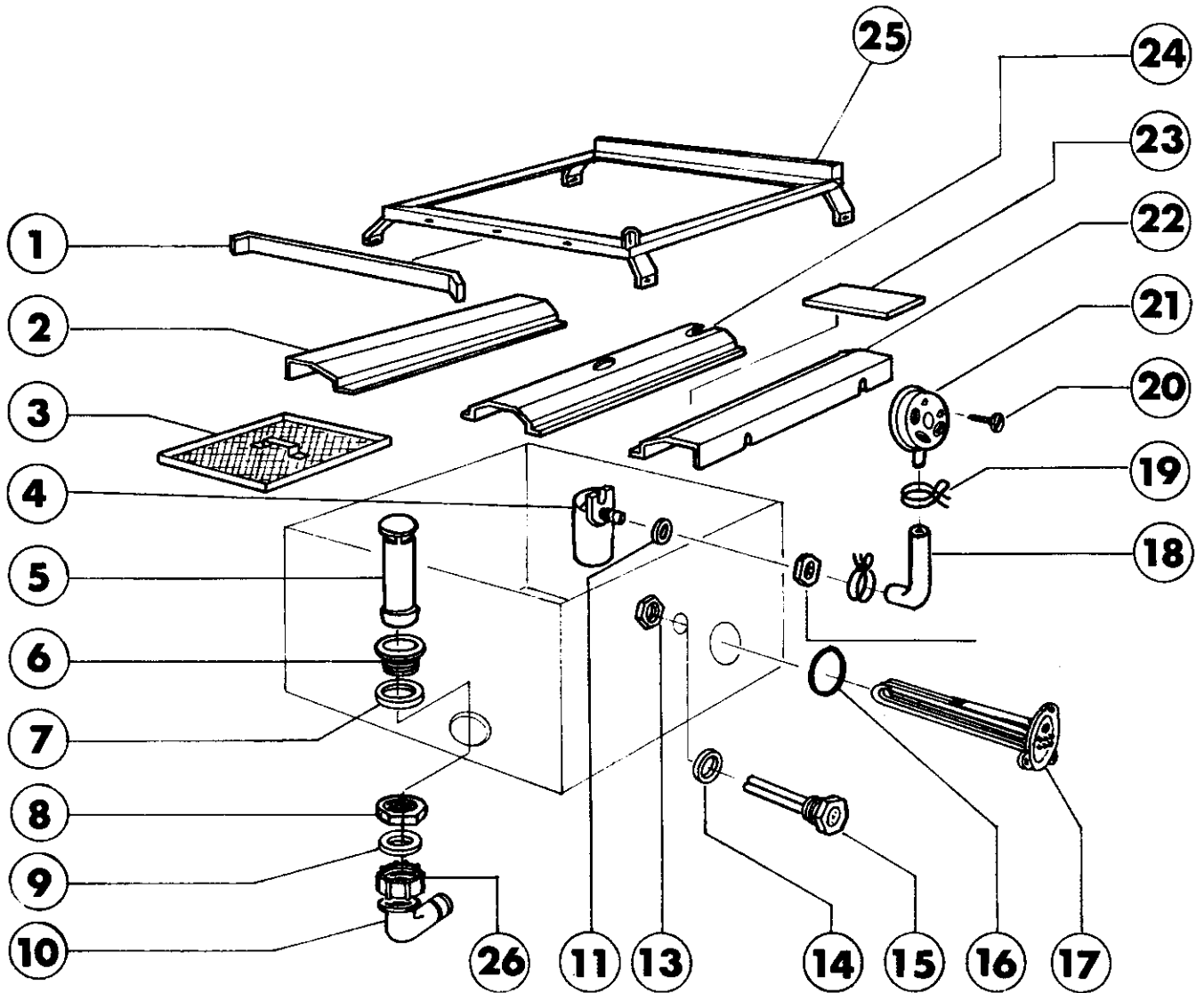


C34**Handle**

CODE	DESCRIPTION	PRICE (Eur)
120319	MICRO SWITCH OMR.C34	0.00
120322	LIMIT SWITCH FD101 + MICRO M1	0.00
160509	FOOT SUPPORT	0.00
190616	DOOR SPRING ROLLER C34 HOST	0.00
210203	RUBBER FOOT 30 MM	0.00
320644	EQUERRE	0.00
330207	LOWER TIE ROD SPRING C34	0.00
330816	BUSHING DOOR HING.F2-45-5 STAI	0.00
331007	HANDLE C34 II	0.00
350742	BRACKET FOR MICRO HOOD C34-C14	0.00
390272	-TELAIO C34 II -ESAURITO-	0.00
391313	SPRING F.DOOR LEVER C34	0.00
440703	BLOCK F. MICROSWITCH C34 D23	0.00

C34

Tank

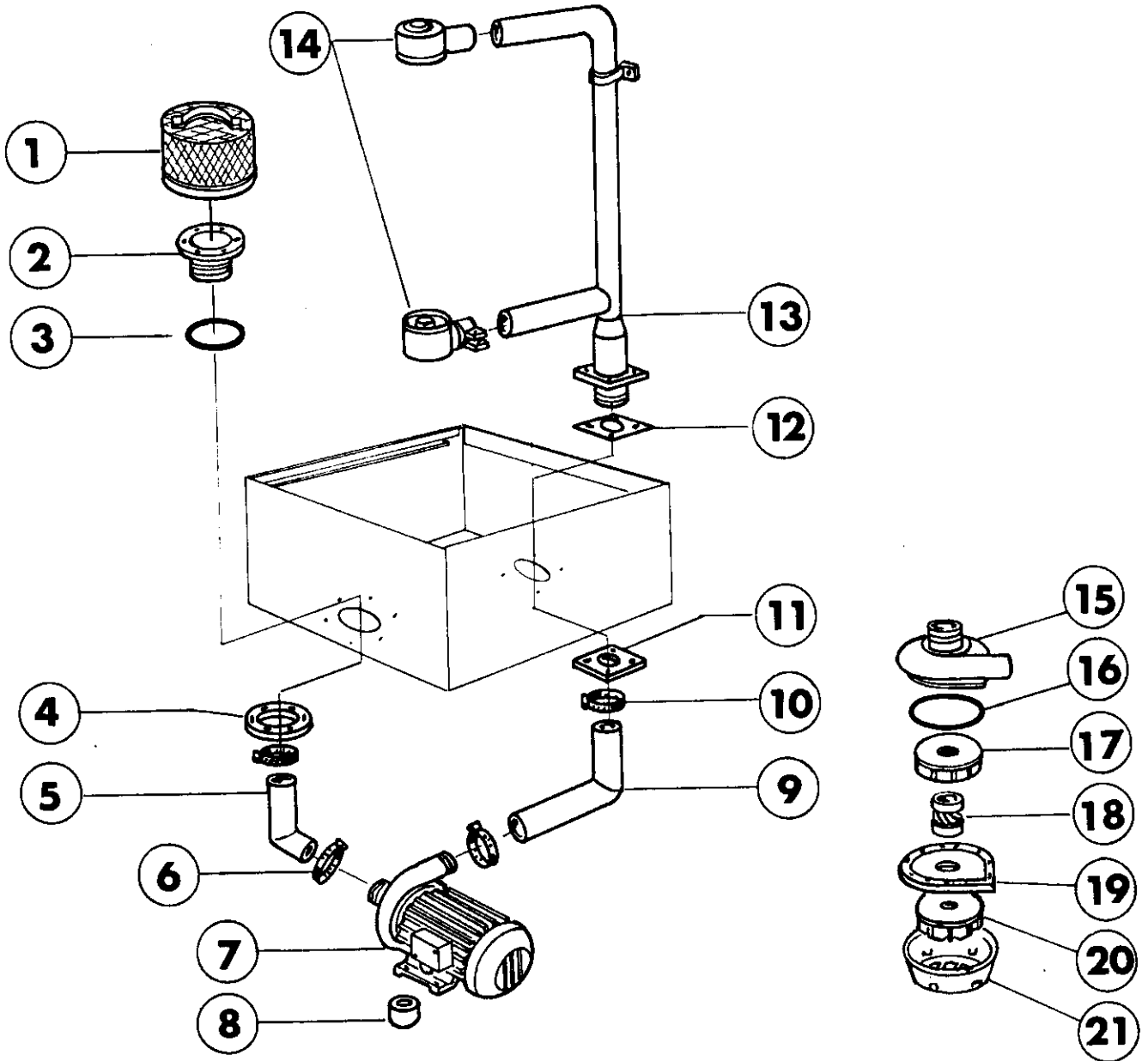


C34**Tank**

CODE	DESCRIPTION	PRICE (Eur)
110226	HEAT. ELEMENT 3000W 230/400V	0.00
130604	PRESSURE SWITCH 80-50 1 LEVEL	0.00
160202	ELBOW 2 DIAMETERS	0.00
160305	BONDE VIDANGE (160301)	0.00
161301	AIR TRAP F2 C34-F45	0.00
180102	DRAIN PIPE NUT 1"1/2 F45-55	0.00
180109	LOCK NUT 1 1/2"	0.00
180703	OVERFLOW STANDPIPE 215 C34- S	0.00
180811	FLAT STRAINER C34-S1600	0.00
200353	PRESS.SWITCH HOSE B23-10-1-2-C	0.00
200410	DRAIN OUTL.WASH.1 1/2"65X47X2	0.00
200412	GASKET DRAIN 1 1/2" 45X33X3	0.00
200415	AIR TRAP GASKET -F2 18,5X10X3	0.00
200815	O-RING F. HEAT.ELEM.	0.00
260701	SCREW 3,5X9,5	0.00
270101	HEXAGON LOCK NUT 1/2"	0.00
320891	DOOR GUIDE C34	0.00
320892	BRACKET	0.00
321003	GUIDE	0.00
321004	SUPPORT	0.00
321005	GUIDE	0.00
321009	GUIDE	0.00
450125	ELASTIC CLAMP D. 10,4X9,8	0.00
450514	-GUAINA DOPPIA TERMOST.(450516	0.00
460502	GASKET 30X21X2 C34-R ASBESTOS	0.00

C34

Wash

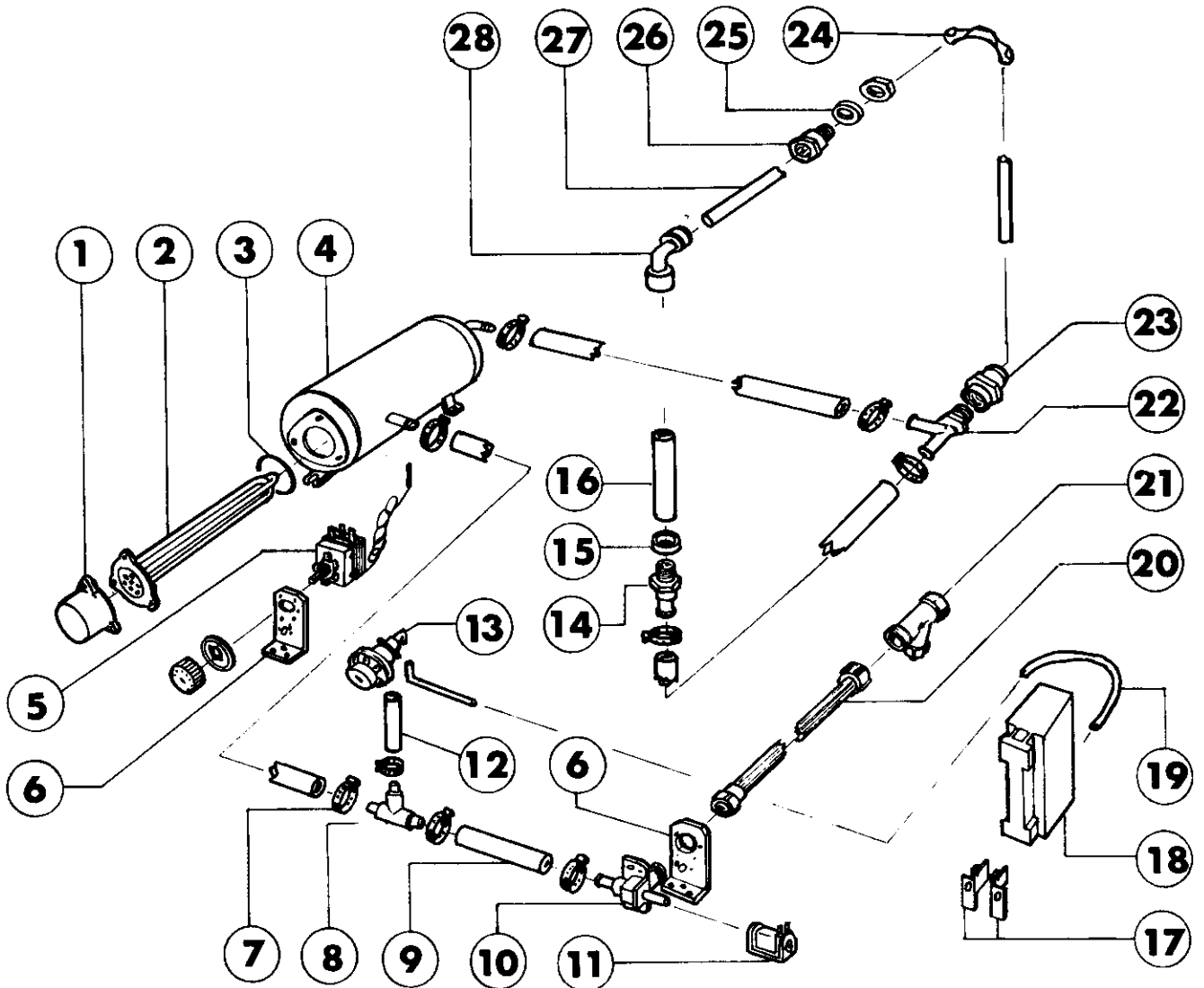


C34**Wash**

CODE	DESCRIPTION	PRICE (Eur)
100361	PUMP HP 2 F 220/380 50HZ-1204	0.00
180204	COUNTERFLANGE D.130 SUCTION N	0.00
180207	SUCTION FLANGE C33/34	0.00
200315	OUTLET HOSE C34-35	0.00
200359	INLET HOSE C34-S	0.00
200423	GASKET TUBE 100X100 HOLE48,5X3	0.00
200807	O-RING 3,53 X 110,72	0.00
210202	RUBBER FOOT GLASSWASHER	0.00
330528	STRAINER D.195 SNL C140	0.00
380904	FLASQUE	0.00
420304	UPP/LOW WASH TUBE C34	0.00
450119	CLAMP FE ZN. 58-75 H=12,2	0.00
450127	CLAMP FE ZN. 68-85 H=12,2	0.00
510238	NICKEL-PLATED WASH-RINSE ARM C	0.00
630114	VOLUTE FI HP2-2,7-3-3,2 12	0.00
630216	FAN HOUSING FI HP 2-3	0.00
630226	POST. PUMP FLANGE HP2 LS23	0.00
630306	PUMP FAN IMPELLOR FI HP.2-3	0.00
630411	O-RING PUMP FI HP 2-2,7	0.00
630501	SEAL FOR PUMP HP 2-3-3,2	0.00
631618	IMPELLER PUMP F HP2-D.116,5	0.00

C34

Rinse assembly

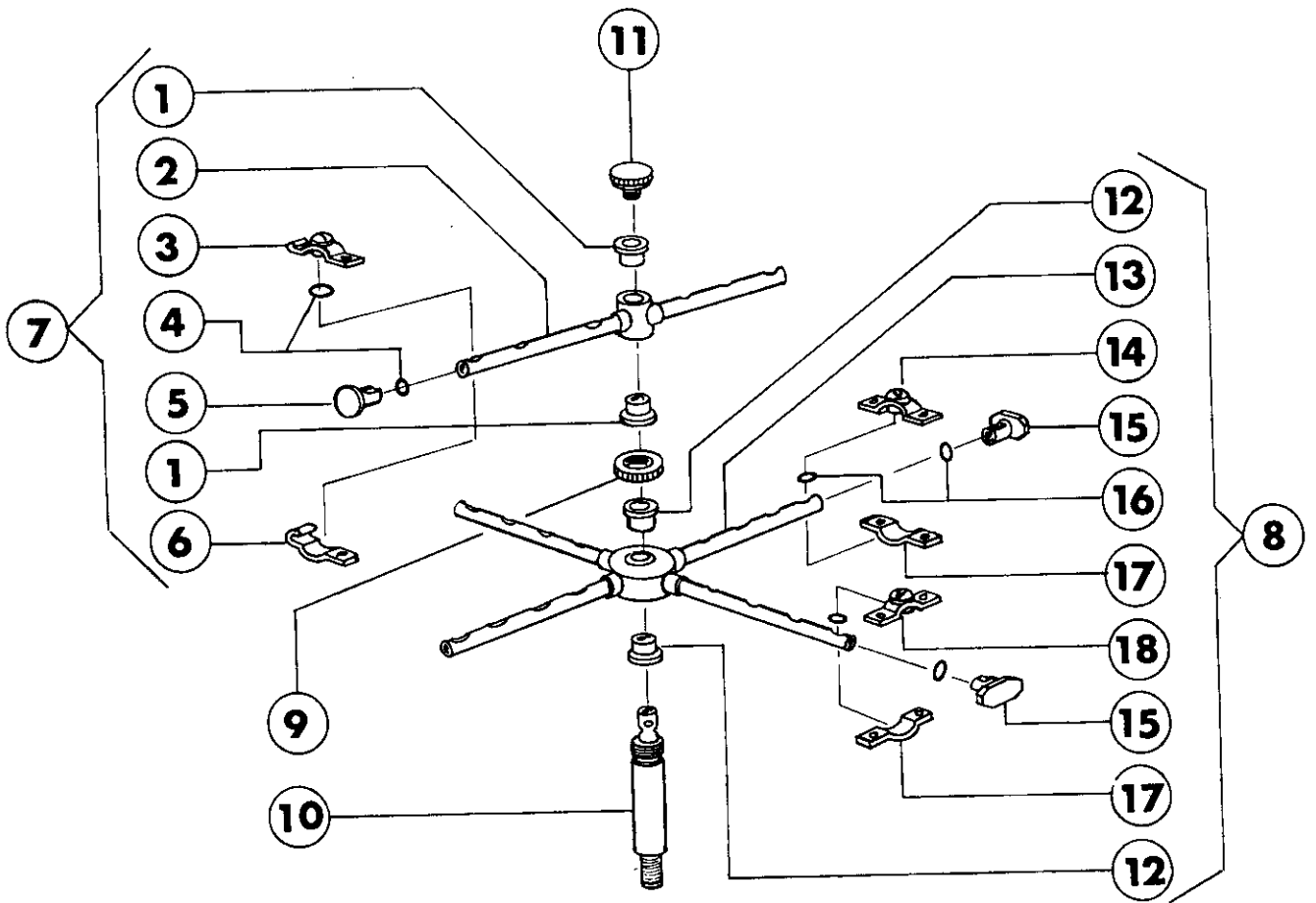


C34
Rinse assembly

CODE	DESCRIPTION	PRICE (Eur)
110349	HEAT.ELEMENT 6000W 220/380V	0.00
120145	SOLENOID VALVE F2 14 LT/N 1 WA	0.00
120501	THERMOSTAT 30/90° MT 1 TR/2	0.00
150811	CABLE HOLDER NYLON 1/2"	0.00
160105	INJECT.INLET HOSE D.6X4	0.00
160113	TUBE IN POL. RETIC. 12 EST	0.00
161102	ELEMENT COVER MOPL.	0.00
180408	TEE-NIPPLE F.INJECT.W/CENTR.RE	0.00
190311	TEE RINSE C33/34	0.00
190804	DOSEUR RINCAGE	0.00
200113	RUBBER HOSE 12 X 22	0.00
200373	DURITE 7X16X190	0.00
200715	HOSE WATER INLET 2M STAINL.ST	0.00
200815	O-RING F. HEAT.ELEM.	0.00
200819	O-RING 17,13X21,65 3068	0.00
290216	HOSE CLAMPS STRAIGHT 12X1/2"	0.00
290217	HOSE CLAMP ELBOW 12X3/8" TYPE	0.00
290407	NIPPLE 3/8"	0.00
330307	BOOSTER	0.00
330725	STANDARD BRACKET F.SOLEN.VALV	0.00
331327	TUBE LOW.RINSE C33-34	0.00
350745	RIGHT BRACKET RINSE AID CONTAI	0.00
390623	SUPPORT	0.00
450104	CLAMP FE ZN H=12,5 15-24	0.00
460501	GASKET 24X17X2 C34-R ASBESTOS	0.00
620120	RINSE AID INJECTOR	0.00
620209	INLET WATER FILTER	0.00
630969	COIL S4216 220/50HZ	0.00

C34

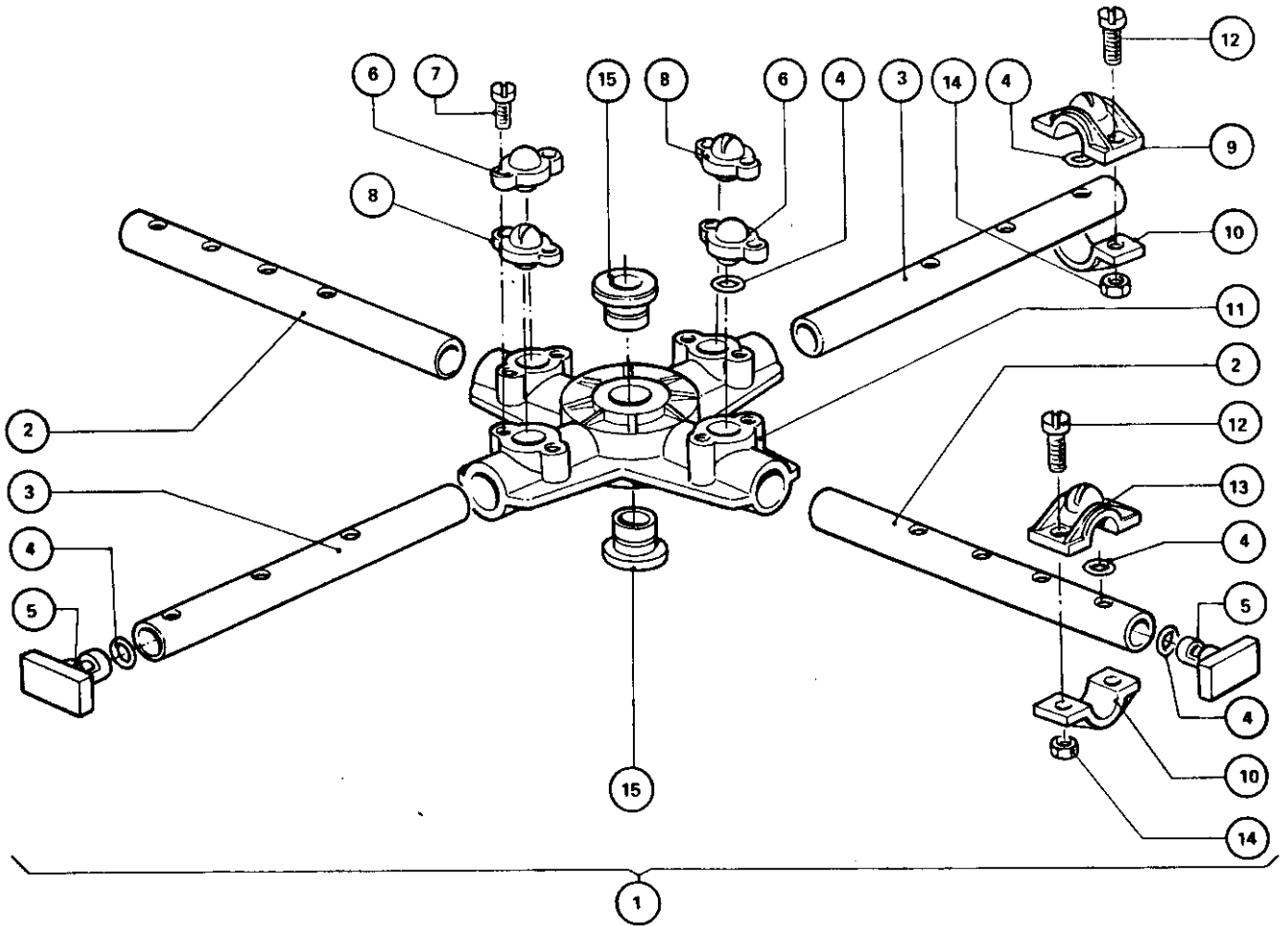
Wash arm



C34**Wash arm**

CODE	DESCRIPTION	PRICE (Eur)
160718	PLUG F. RINSE ARM F2-C34M	0.00
160719	PLUG FOR WASH ARM D.18	0.00
170704	RINSE NOZZLE BOTTOM F-B-C33	0.00
170911	RINSE JET B23-F2-C34	0.00
170917	WASH JET RIGHT C34	0.00
170918	WASH JET LEFT C34	0.00
180213	FLANGE F.JET LOCKING F2-C34	0.00
190614	BUSH CENTRAL CROSS C34 /WASH	0.00
190615	BUSH CENTRAL CROSS C34/F2 ALG	0.00
200818	O-RING 1,78 X 6,75 X 10,31	0.00
200824	O-RING 1,78X12,42X15,98	0.00
261004	RETAIN.SCREW WASH-RINSE ARM(26	0.00
280409	RETAIN.LOCK NUT CENTR.CROSS C1	0.00
340499	SPINDLE CENTR. CROSS C34	0.00
420509	BRAS LAVAGE	0.00
420511	WASH ARM ASSEMBLY C140	0.00
430307	BRAS RINCAGE	0.00
430308	RINSE ARM ASSEMBLY C34 - C140	0.00

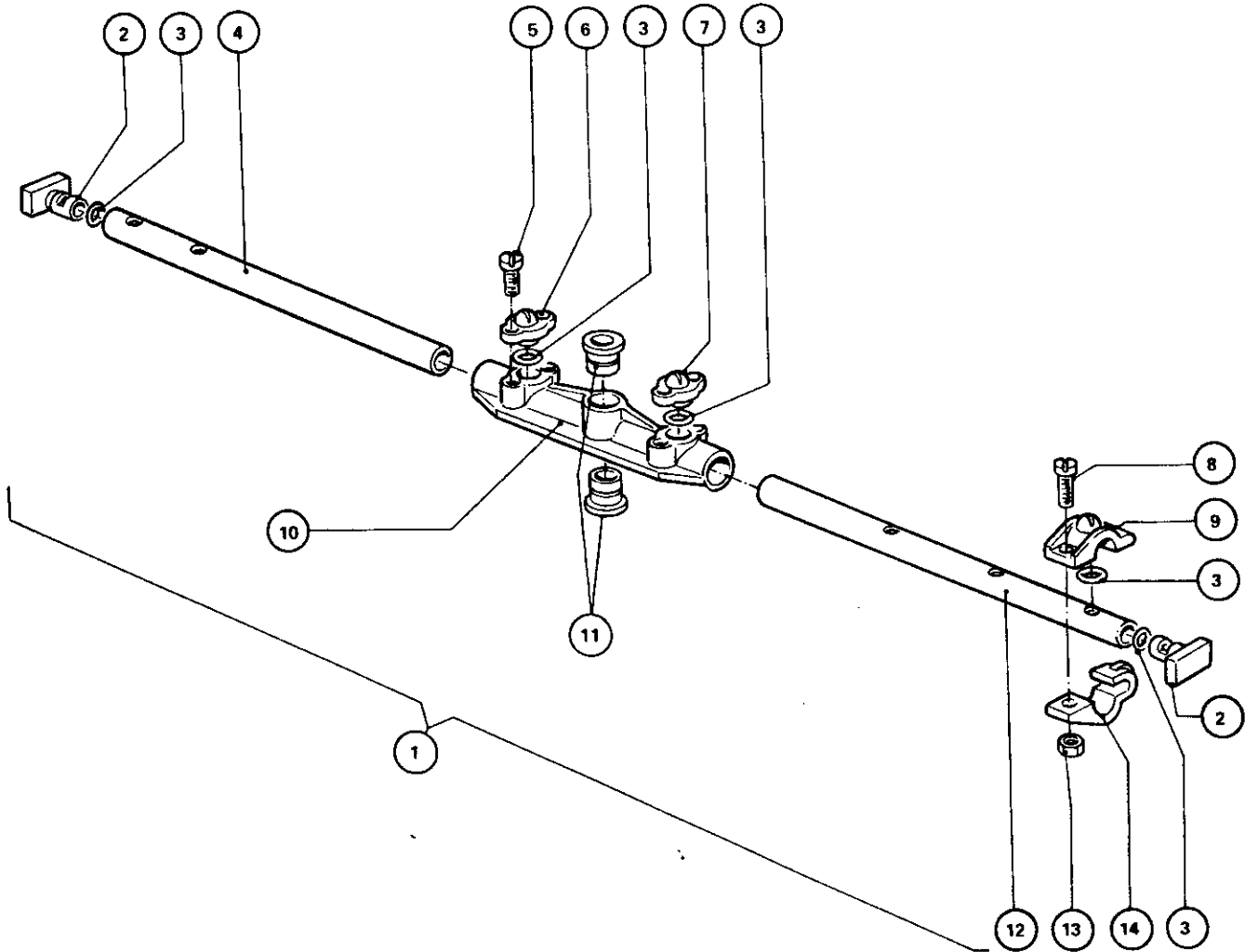
C34
Wash arm



C34**Wash arm**

CODE	DESCRIPTION	PRICE (Eur)
160719	PLUG FOR WASH ARM D.18	0.00
170917	WASH JET RIGHT C34	0.00
170918	WASH JET LEFT C34	0.00
170927	WASH JET F2-C-GRAY	0.00
170928	IDLE JET F2-C-GRAY	0.00
180213	FLANGE F.JET LOCKING F2-C34	0.00
190621	BUSHING CENTR.CROSS C34	0.00
191027	CENTRAL CROSS C34-140	0.00
200824	O-RING 1,78X12,42X15,98	0.00
260207	STAINL.ST TCP SCREW4X25 A2 UNI	0.00
260226	STAINL.ST TCP SCREW 4X12 A2 UN	0.00
260402	STAINLESS STEEL NUTS D4 UNI 55	0.00
331359	WASHING TUBE	0.00
331360	WASHING TUBE	0.00
420511	WASH ARM ASSEMBLY C140	0.00

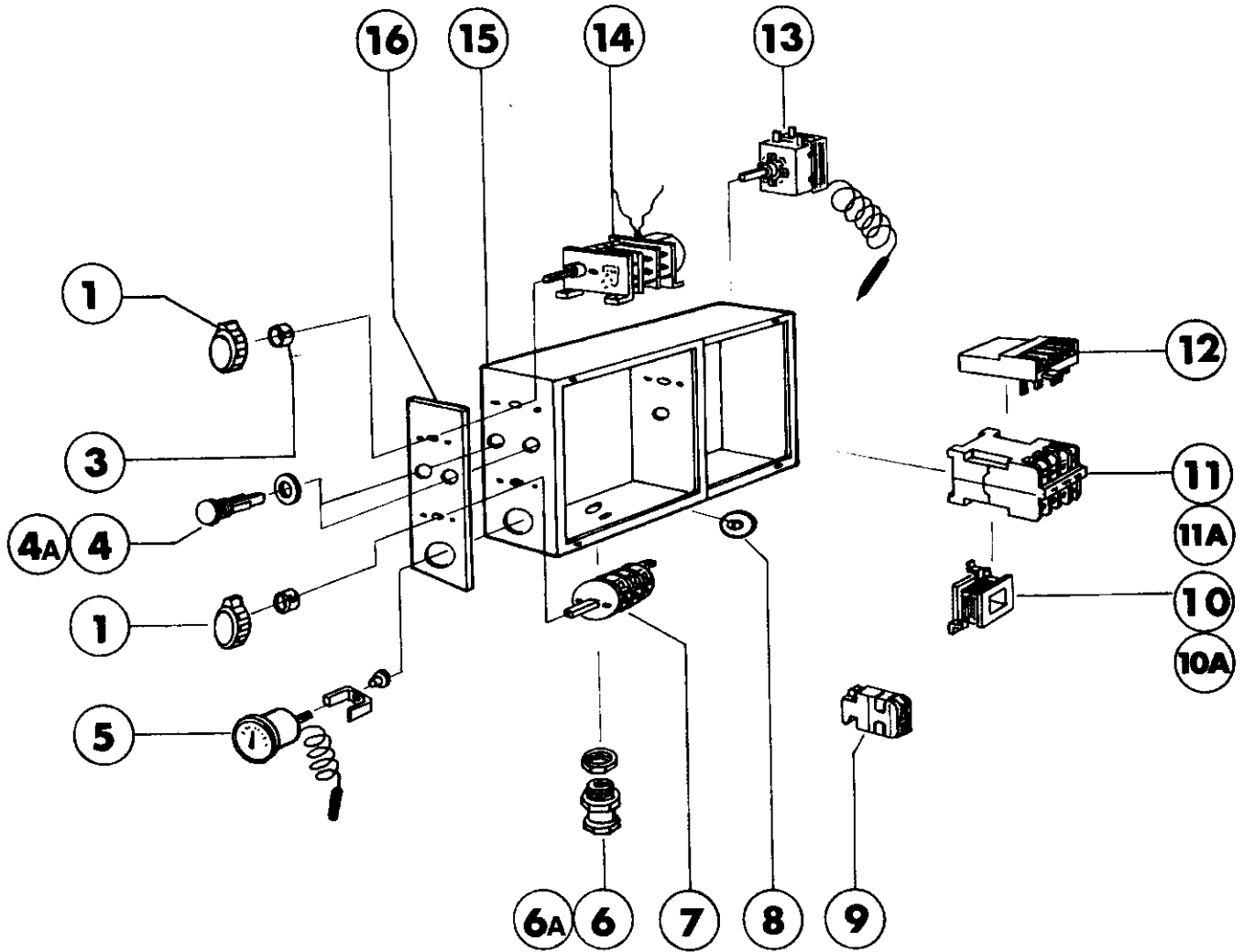
C34
Wash arm



C34**Wash arm**

CODE	DESCRIPTION	PRICE (Eur)
160718	PLUG F. RINSE ARM F2-C34M	0.00
170704	RINSE NOZZLE BOTTOM F-B-C33	0.00
170911	RINSE JET B23-F2-C34	0.00
170929	RINSE JET F2-C-GRAY	0.00
170930	IDLE JET F2-C-GRAY	0.00
190617	BUSH	0.00
191030	CENTRAL CROSS RINSE C34-140	0.00
200818	O-RING 1,78 X 6,75 X 10,31	0.00
260207	STAINL.ST TCP SCREW4X25 A2 UNI	0.00
260226	STAINL.ST TCP SCREW 4X12 A2 UN	0.00
260402	STAINLESS STEEL NUTS D4 UNI 55	0.00
331361	TUBE RINSE	0.00
331362	TUBE RINSE	0.00
420515	WASH-RINSE ARM F45-C85	0.00

C34
Control box

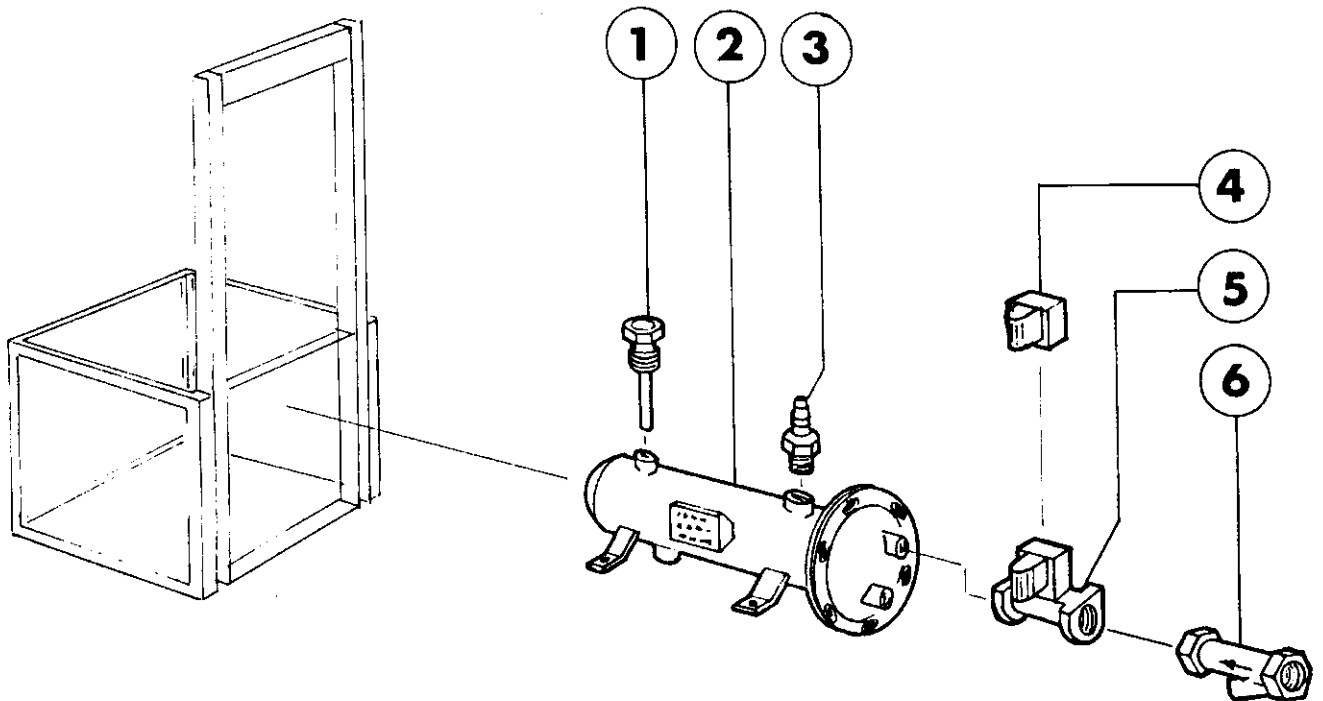


C34
Control box

CODE	DESCRIPTION	PRICE (Eur)
120208	TIMER 1G 210" 220V 50HZ	0.00
120434	CONTACTOR 9A 220V 50HZ	0.00
120435	CONTACTOR 17A 220V 50HZ	0.00
120501	THERMOSTAT 30/90° MT 1 TR/2	0.00
120712	SWITCH BIP. 16AMP B-F45	0.00
120824	OVERLOAD RELAY 4/6 A	0.00
130120	RED LIGHT 220V C34	0.00
130121	GREEN LIGHT 220V C34	0.00
150202	EQUERRE	0.00
150805	CABLE HOLDER 18X22X1	0.00
150812	CABLE HOLDER 3/4" D.16-20 WITH	0.00
150813	CABLE HOLDER 1"	0.00
180111	BLACK KNOB	0.00
321528	BOX FOR CONTROL PANEL	0.00
440817	SNAP RING LSCB/1853/17/00	0.00
450905	CAPIL.THERMOMETER D.52 1,5m	0.00
460188	TARGA COMANDI C34 IN ALL. NERO	0.00
630954	COIL 9-12A 220V X1	0.00
630956	COIL 16A 220V	0.00

C34

Steam version



C34**Steam version**

CODE	DESCRIPTION	PRICE (Eur)
120138	ELECTROV.VAP.3/4 220V (120167)	0.00
290410	NIPPLE 1/2"	0.00
310601	STRAINERS JU 1/2" MOD.45	0.00
330312	STEAM BOILER 6000 KCAL/H	0.00
450508	-GUAINA TERM.RAME	0.00
630949	COIL 1"-3/4" 220V L149	0.00