

easicook.co.uk

Spare Parts Manual

Leading UK Distributors
of Catering Equipment Since 1977

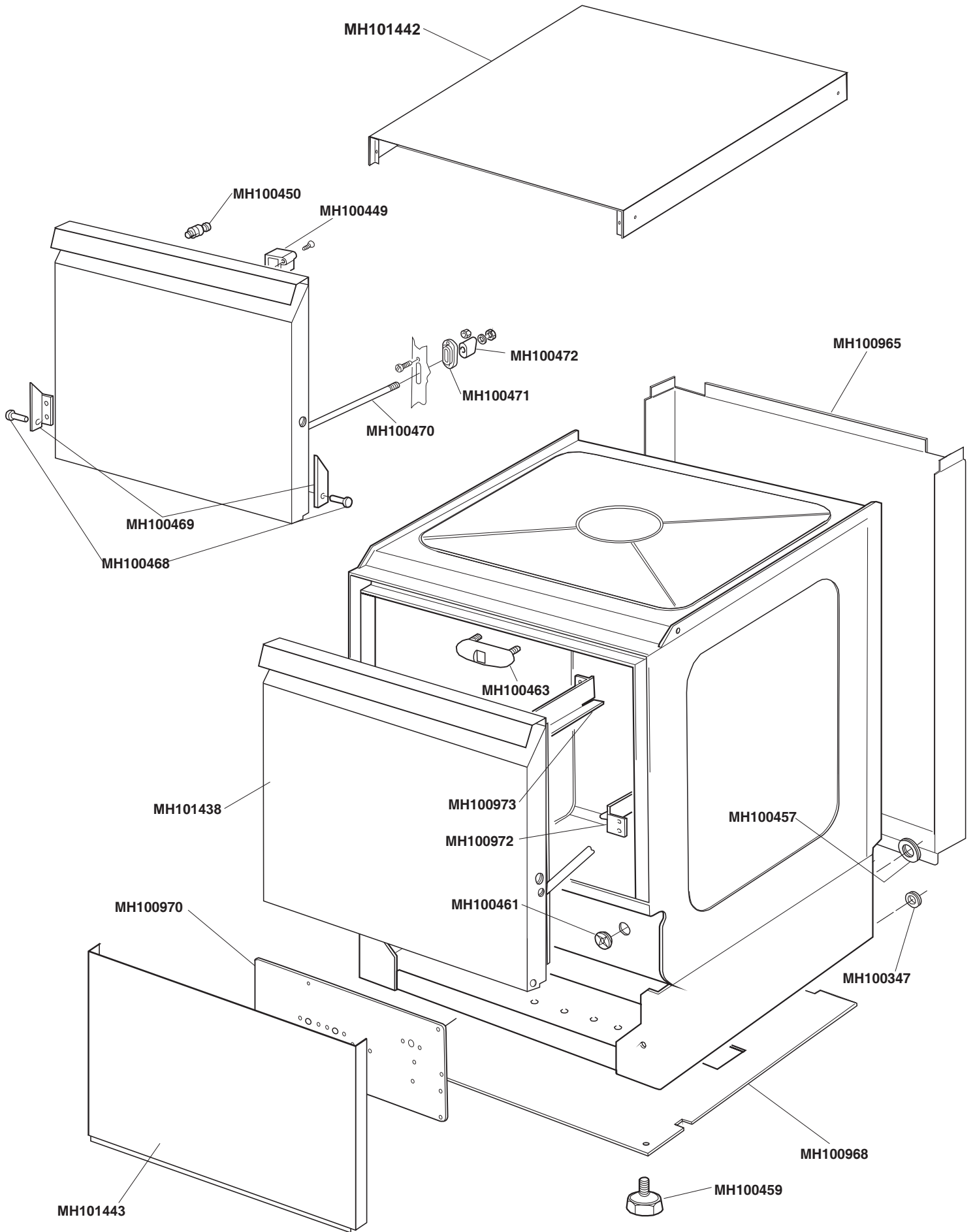
Sales - Repairs - Spares

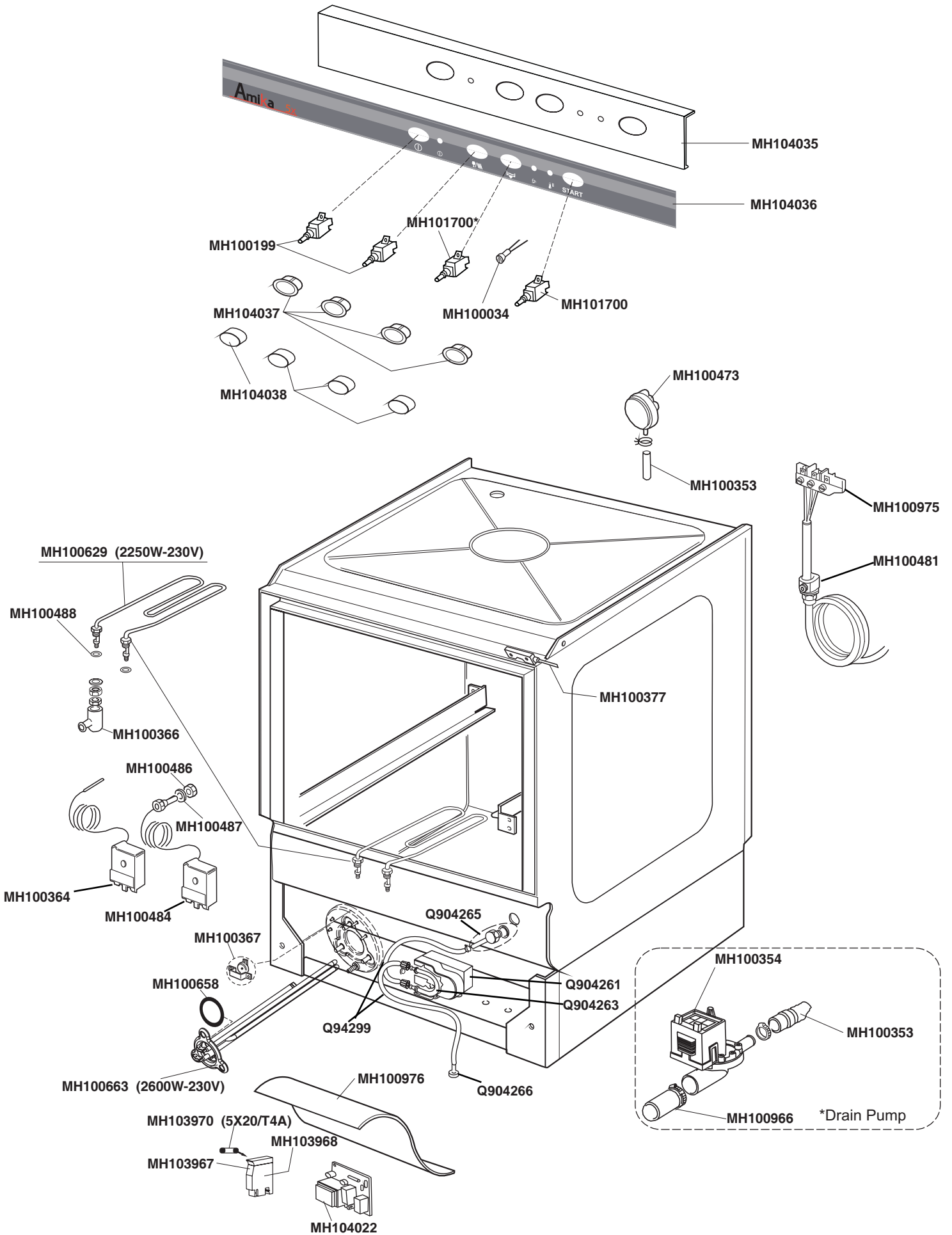
Tel: 029 20747567

Fax: 029 20214100

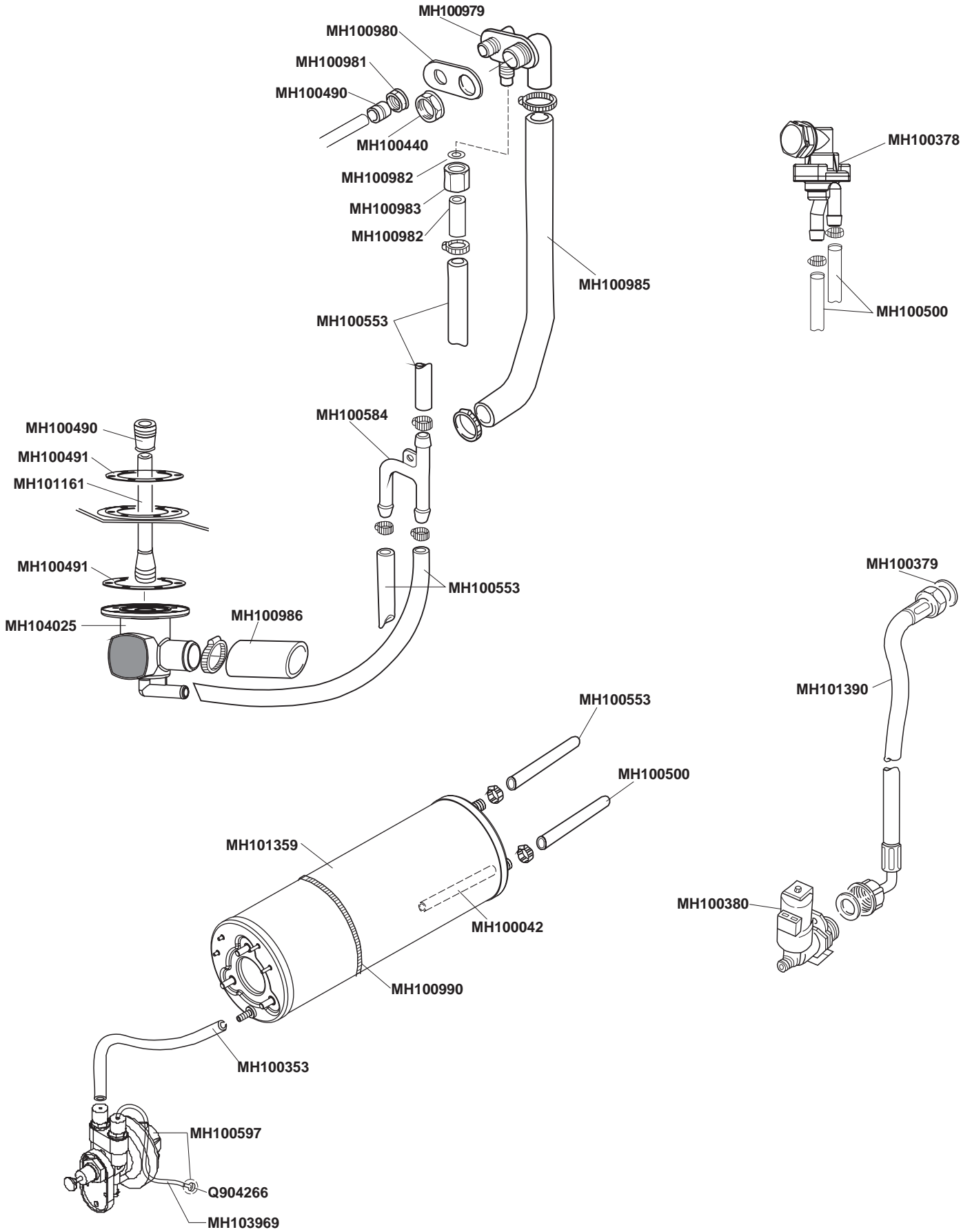
Email: info@easicook.co.uk

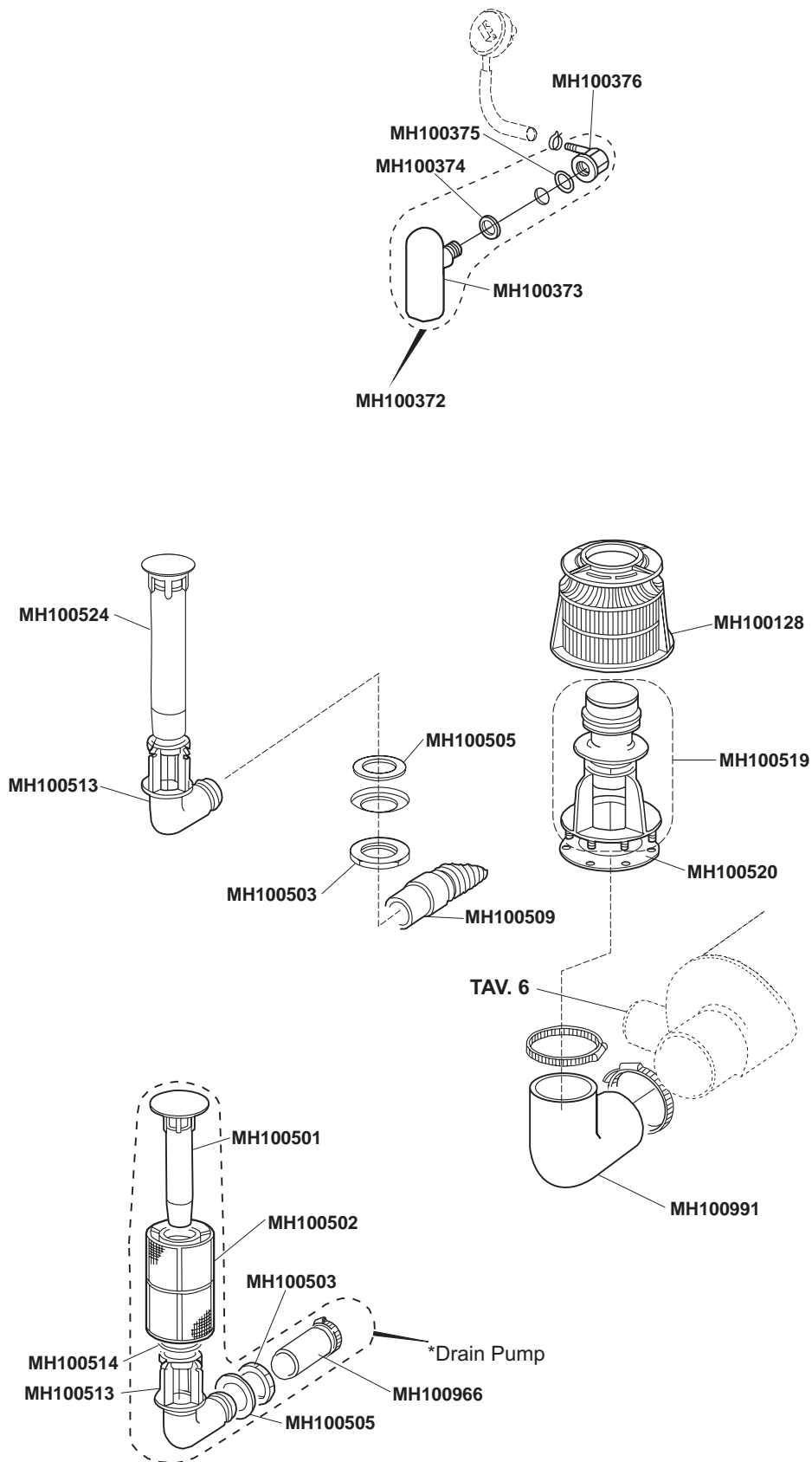
[Click Here for Live Online Chat](#)





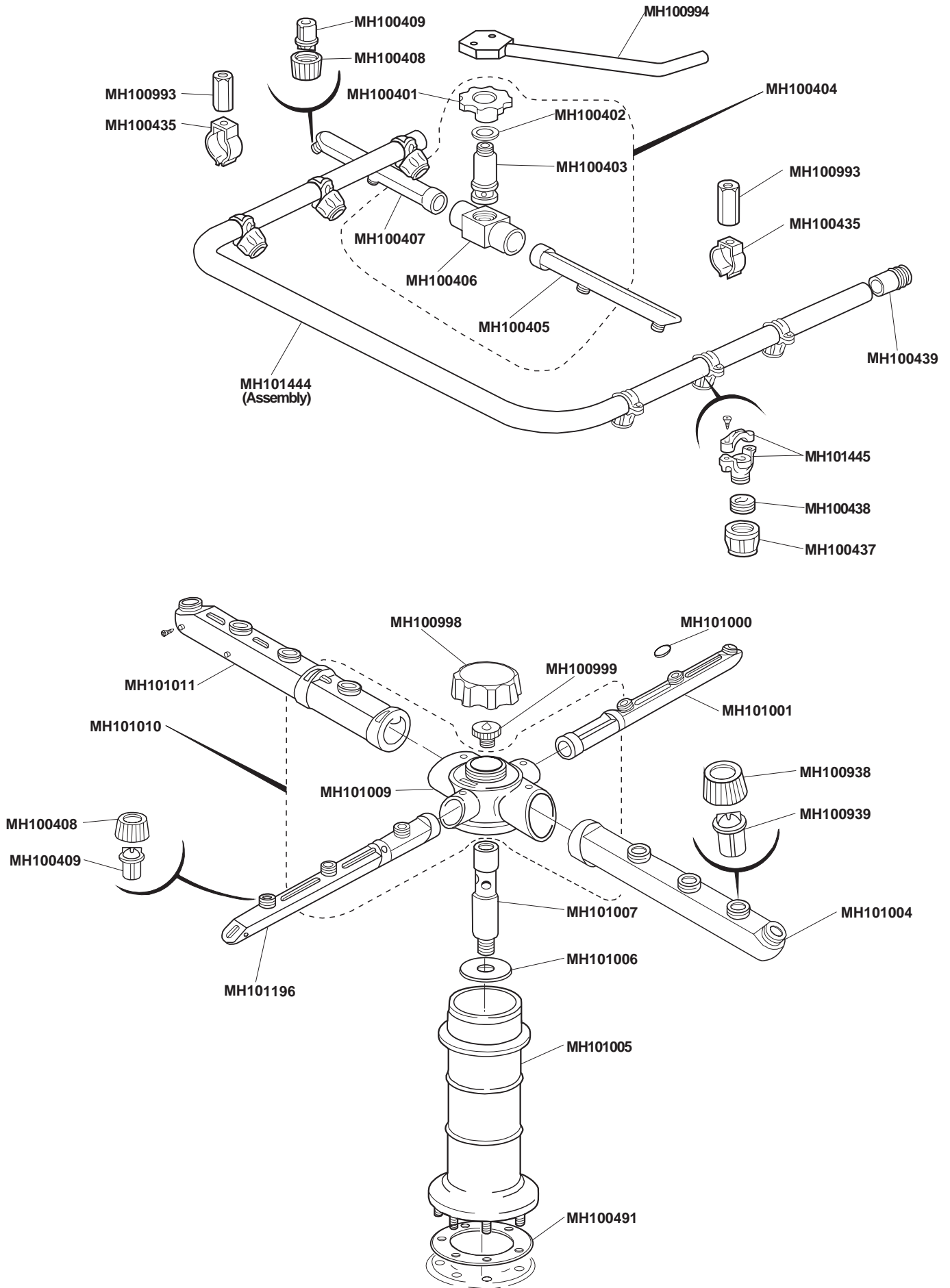
*Optional

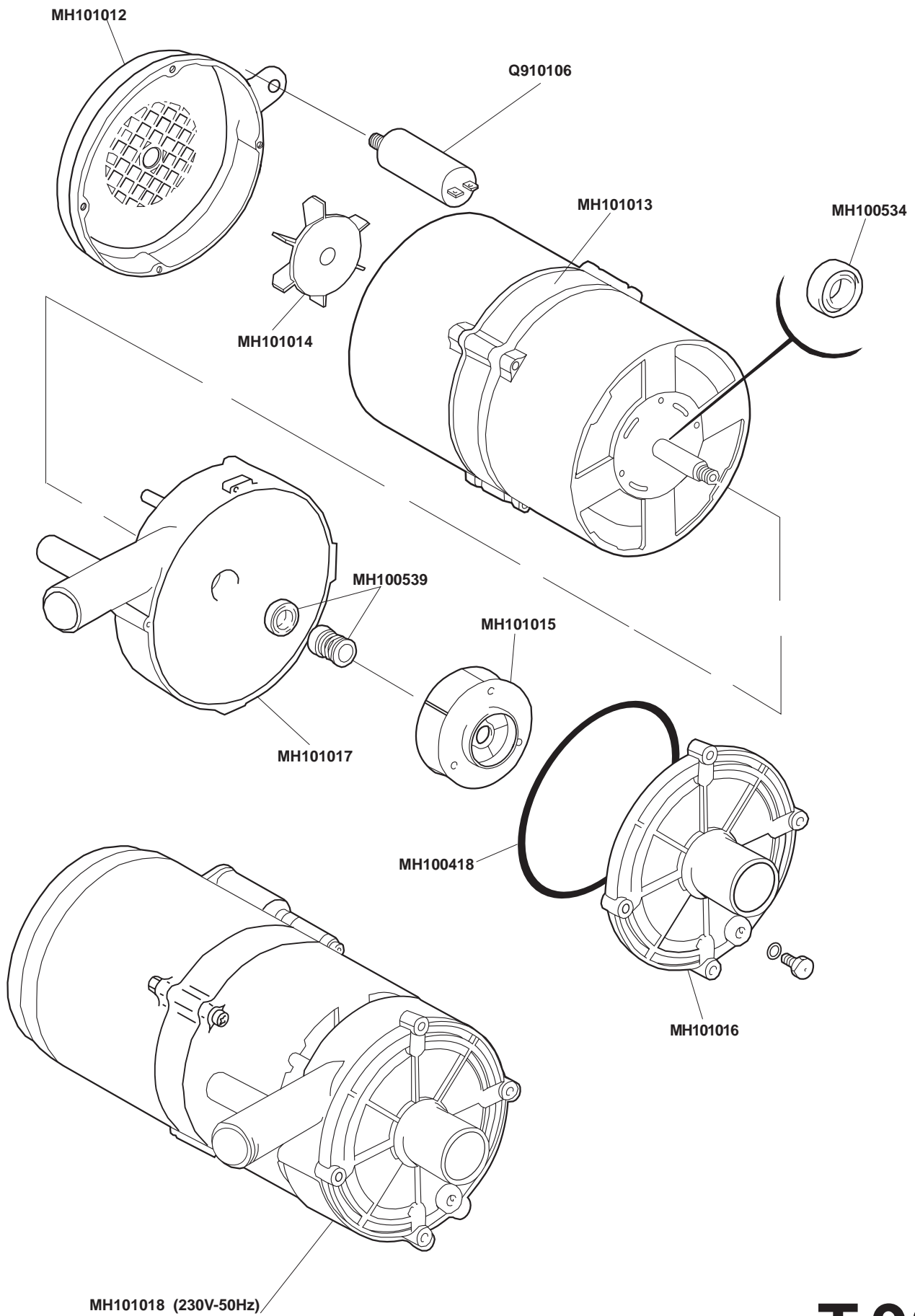




*Optional

5





T.90