

**easicook.co.uk**

**Spare Parts Manual**

**Leading UK Distributors  
of Catering Equipment Since 1977**

**Sales - Repairs - Spares**

**Tel: 029 20747567**

**Fax: 029 20214100**

**Email: [info@easicook.co.uk](mailto:info@easicook.co.uk)**

---

# DISHWASHER

ELECTROMECHANICAL SWITCHES  
LOWER WASHING

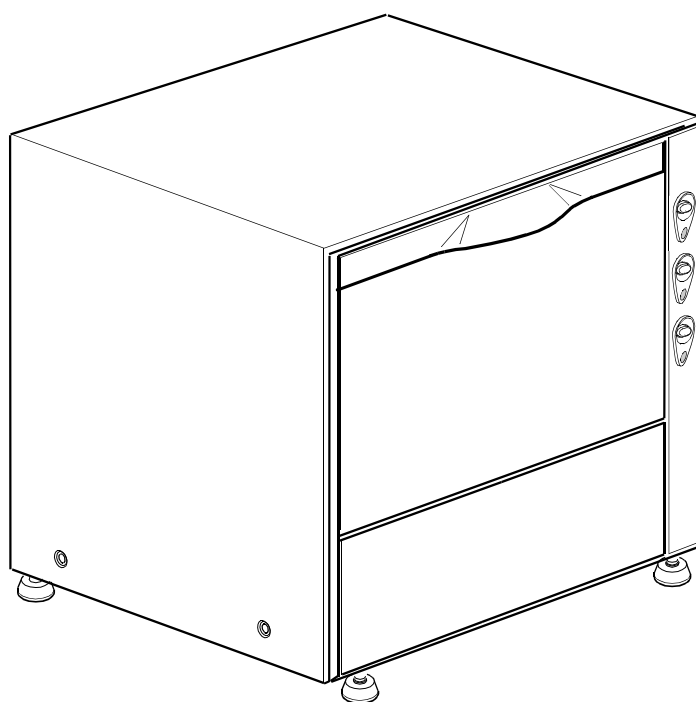
TYPE: JU

Accessories  
COLD RINSE  
DETERGENT DISPENSER

---

## Spare parts manual

---



---

S/N:

Valid from:..11/2002

Rev.: 0.0

---



## **1. Spare parts**

<b>General body parts.....</b>	<b>7</b>
<b>Lockup system .....</b>	<b>9</b>
<b>Control panel .....</b>	<b>11</b>
<b>Control electric components.....</b>	<b>13</b>
<b>Solenoid valve group .....</b>	<b>15</b>
<b>Shining product dosing device group .</b>	<b>17</b>
<b>4 ways derivation.....</b>	<b>19</b>
<b>Wash pump .....</b>	<b>21</b>
<b>Dosing device group .....</b>	<b>23</b>
<b>Pressure switch group with air trap ...</b>	<b>25</b>
<b>Turret group with rotating arms .....</b>	<b>27</b>

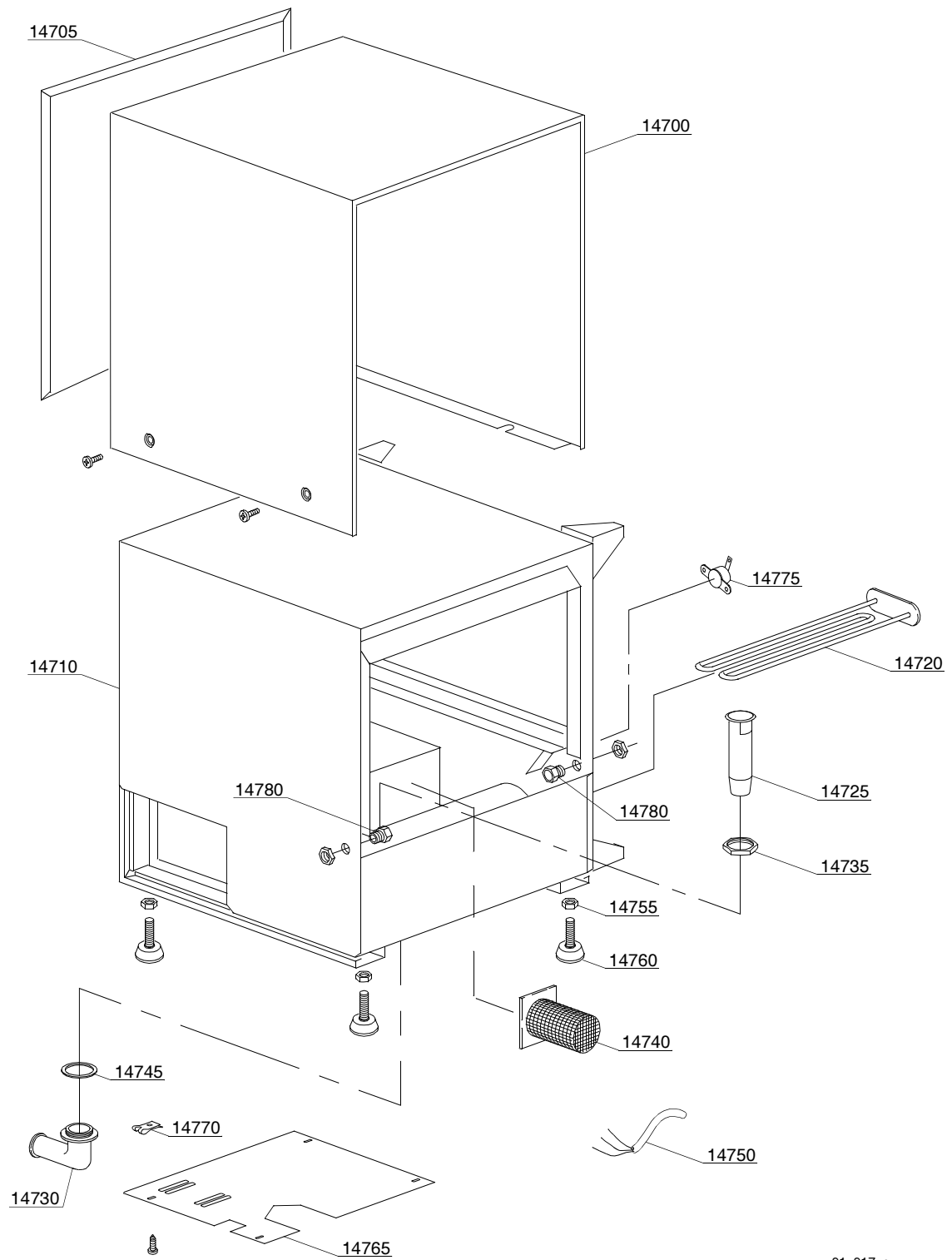


## 1.1 Voltage codes

Voltage code	Voltage
A	3/N/PE~400/230V 50Hz
B	~250V 16A 50Hz
C	3/N/PE~380/220V 50Hz
D	3/PE~200V 50-60Hz
F	2/PE 220-240V 50Hz
G	3/N/PE~415/240V 50Hz
H	3/PE~230V 50Hz
I	3/PE~220V 60Hz
J	3/PE~380 50Hz
K	3/PE~400V 50Hz
L	3/PE~415V 50Hz
M	3/PE~440V 60Hz
N	3/PE~460V 60Hz
O	3/PE~480V 60Hz
P	1/N/PE~220-240V 50Hz
R	2/PE~220-230V 60Hz
S	3/N/PE~400/230V 50Hz
T	3/PE~230V 60Hz

## 1.2 Product codes

Product code	Full name
Model codes	
em	ELECTROMECHANICAL SWITCHES
cf	LOWER WASHING
Type codes	
JU	JU
Accessory codes	
fs	COLD RINSE
dde	DETERGENT DISPENSER

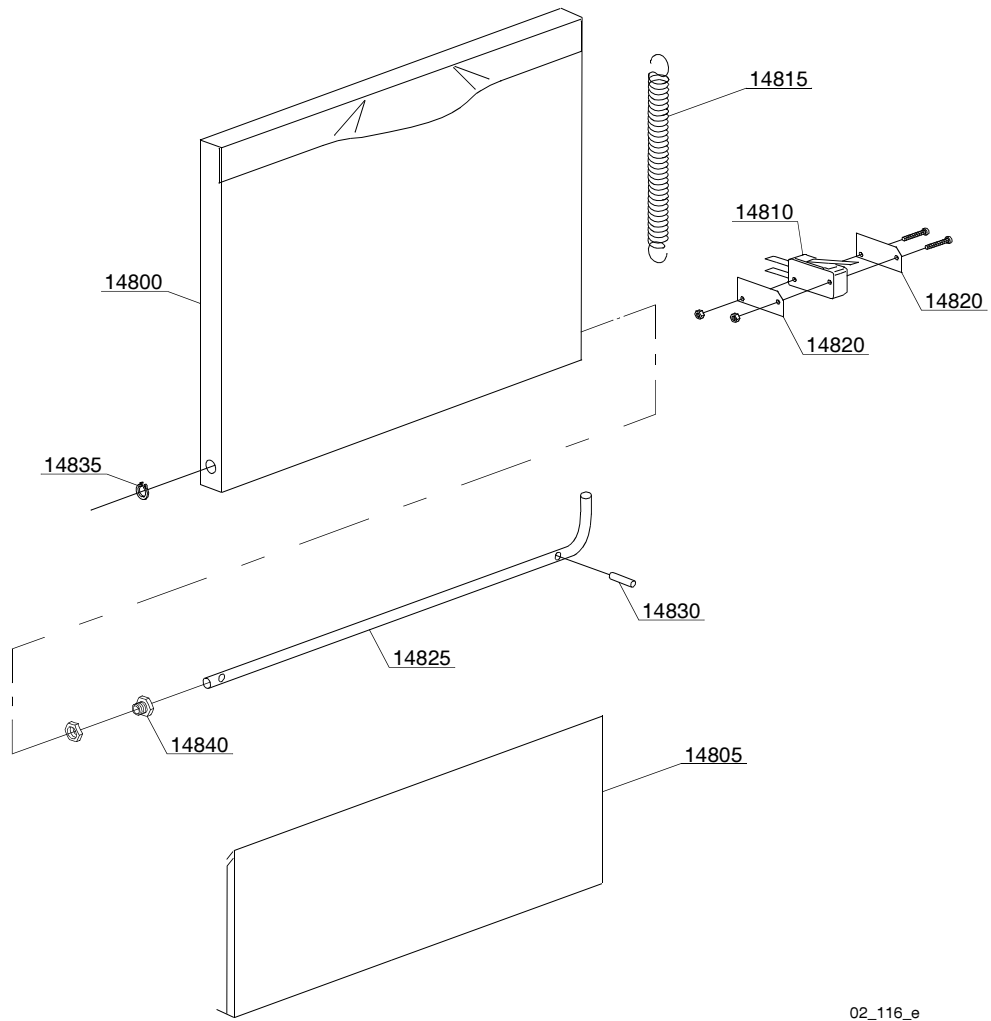


01\_017\_e

## Spare parts

ID	P-code	Model	Type	Accessory	Voltage	Description
MODULE:General body parts						
14700	10972		JU			Cover
14705	10974		JU			Back panel
14710	10970		JU			Body
14720	10714		JU			2KW heating element
14720	10714/C		JU			2KW heating element - 110Vac
14725	10725		JU			Overflow pipe
14730	10701		JU			Drain elbow
14735	11701/A		JU			Stainless steel nut
14740	10914		JU			Rectangular steel filter
14745	13305		JU			44x32x3 drain elbow gasket
14750	10713		JU			3x2,5x2500 cable
14755	11711		JU			M10 zinc plated nut
14760	10786		JU			M10x25 Ø40 black foot
14765	10986		JU			Bottom protection
14770	11003		JU			Plate for self-tapping screw
14775	15550		JU			Safety thermostat
14780	11835		JU			Brass bush with nut

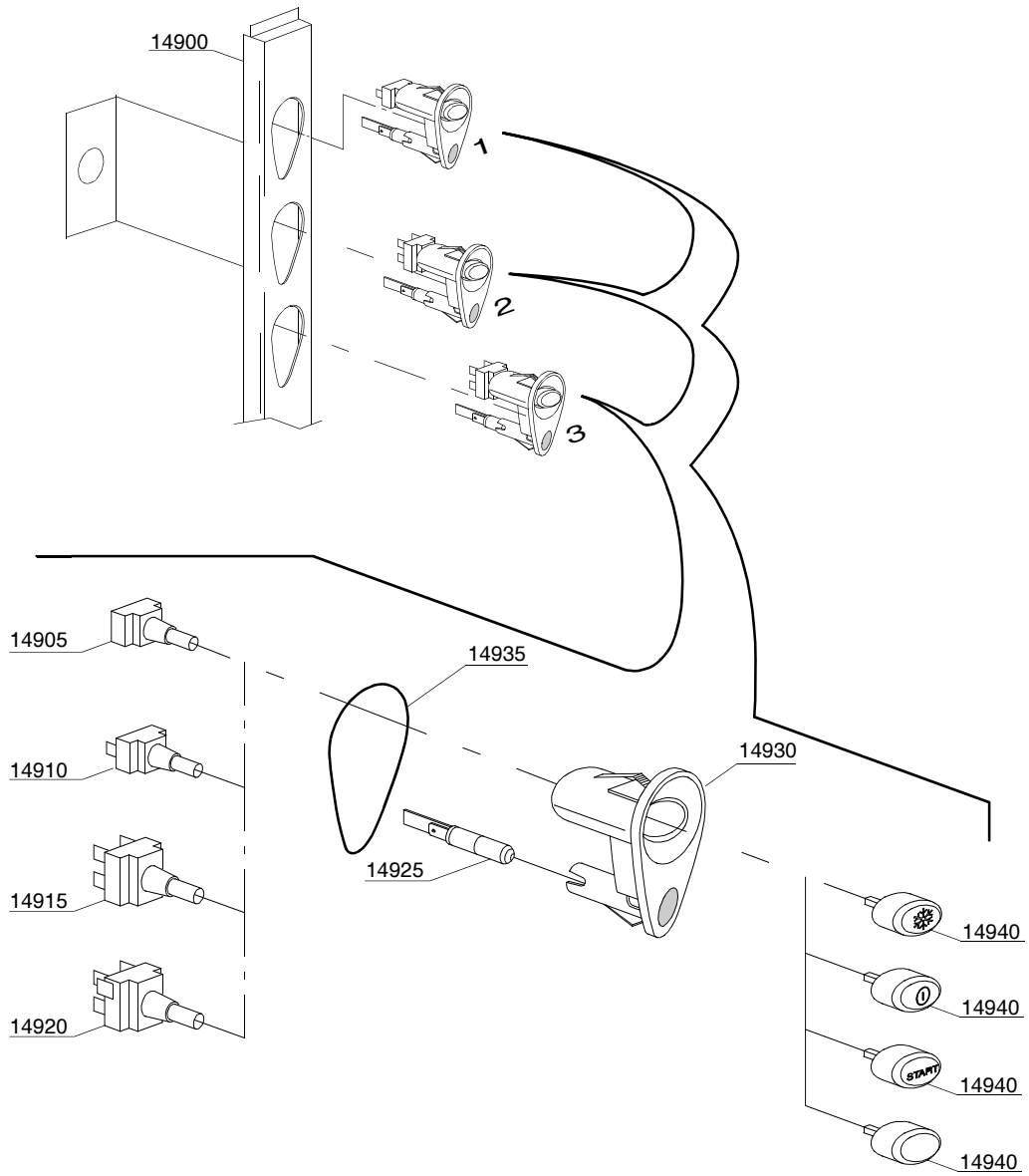




02\_116\_e

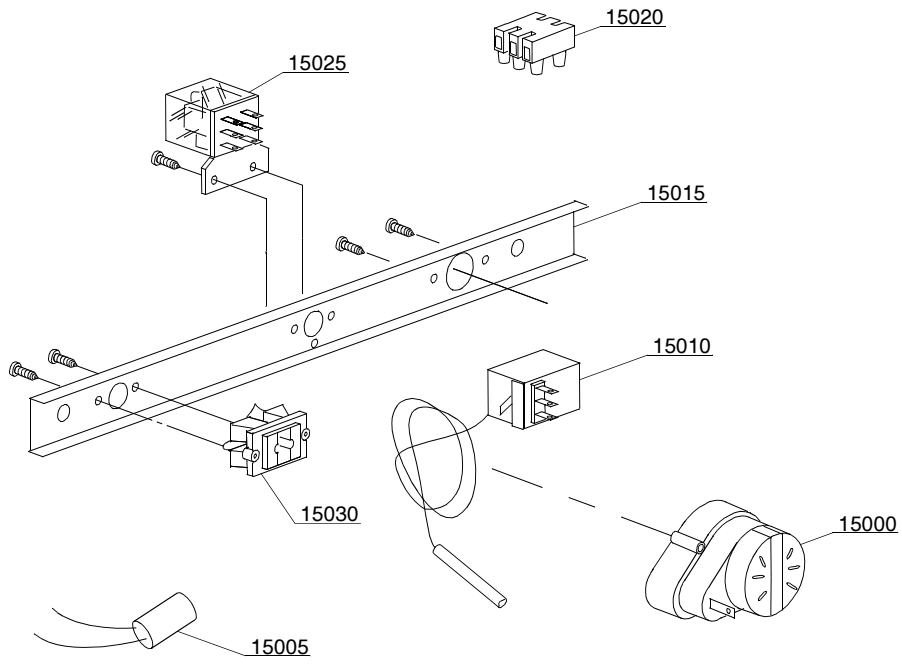
## Spare parts

ID	P-code	Model	Type	Accessory	Voltage	Description
MODULE:Lockup system						
14800	10964		JU			Door with stainless steel handle
14805	10973		JU			Lower door
14810	10704		JU			Door microswitch
14815	10700		JU			Door spring
14820	10770		JU			Insulating for door microswitch
14825	10987		JU			Rod door
14830	11170		JU			M5x25 grub-screw
14835	11815		JU			Ø8 stainless steel snap ring
14840	11835		JU			Brass bush with nut



03\_019\_e

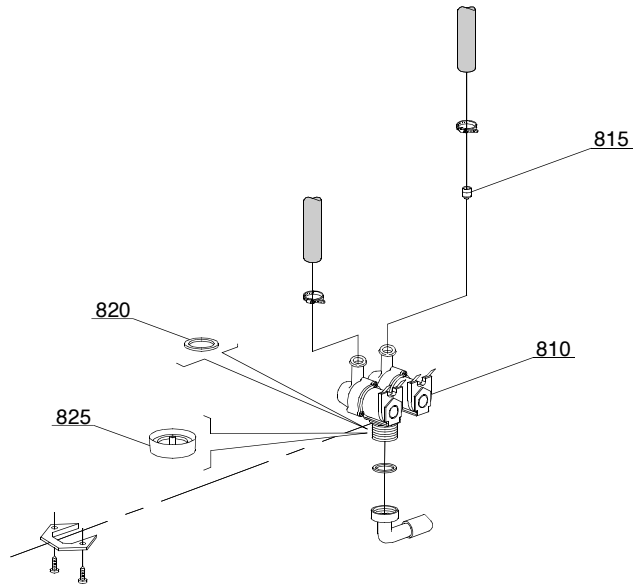




04\_015\_e

## Spare parts

ID	P-code	Model	Type	Accessory	Voltage	Description
MODULE:Control electric components						
15000	10708/L		JU			"120"" timer - 230Vac 50Hz"
15005	15146		JU			Low noise filter
15010	10707/1		JU			0-90°C thermostat
15015	10917		JU			Electric components panel
15020	15065		JU			Terminal board
15025	15620/A		JU			110Vac bipolar relay
15030	15065/A		JU			Cable-fastener with screw



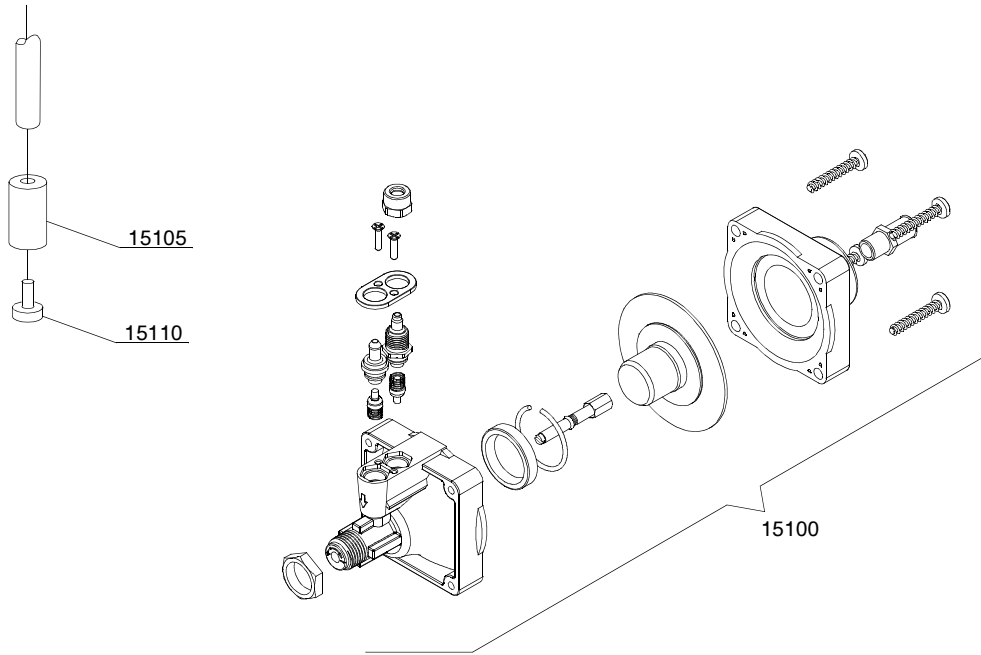
05\_003\_e

**Spare parts**

---

ID	P-code	Model	Type	Accessory	Voltage	Description
MODULE:Solenoid valve group						
810	15098		JU	cr,ws		Double solenoid valve - Ø10



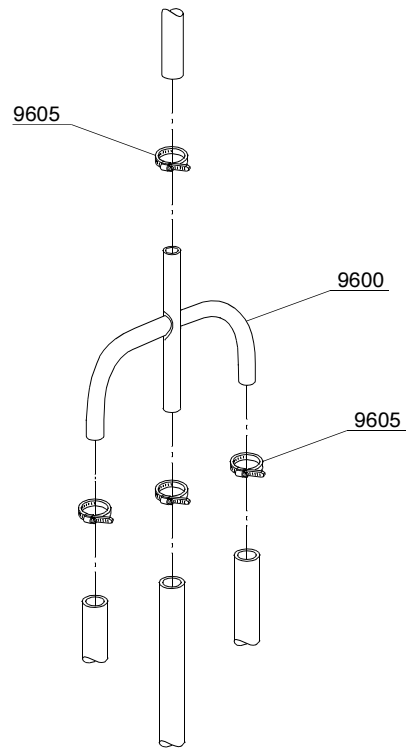


10\_005\_e

## Spare parts

---

ID	P-code	Model	Type	Accessory	Voltage	Description
MODULE:Shining product dosing device group						
15100	10705		JU			Shining product dosing device
15105	12525		JU			Counter-weight
15110	15058		JU			Small filter

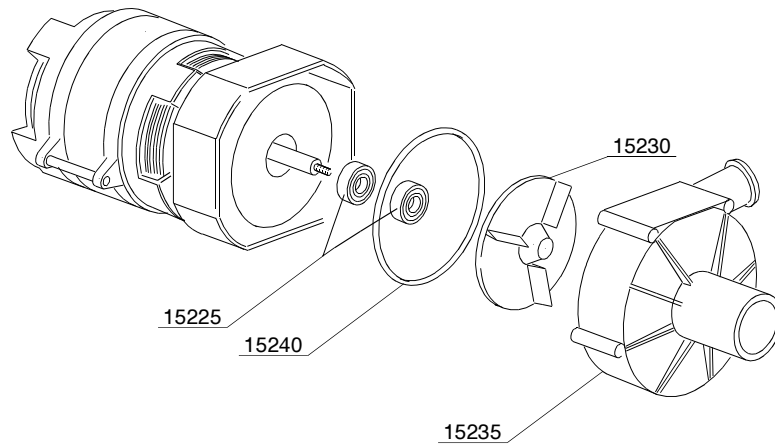
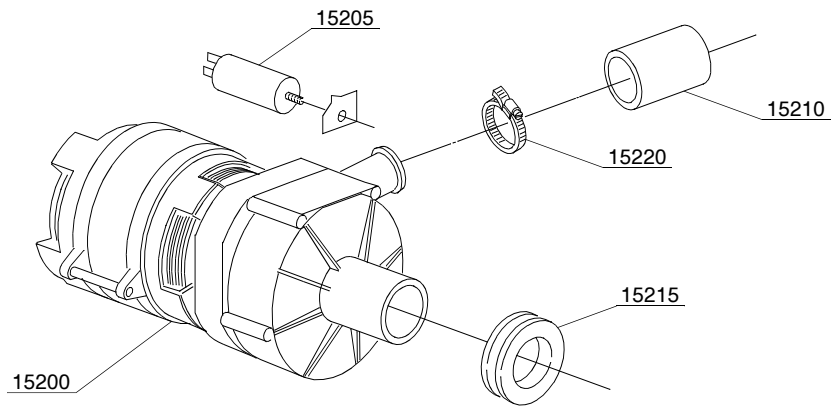


12\_004\_e

## Spare parts

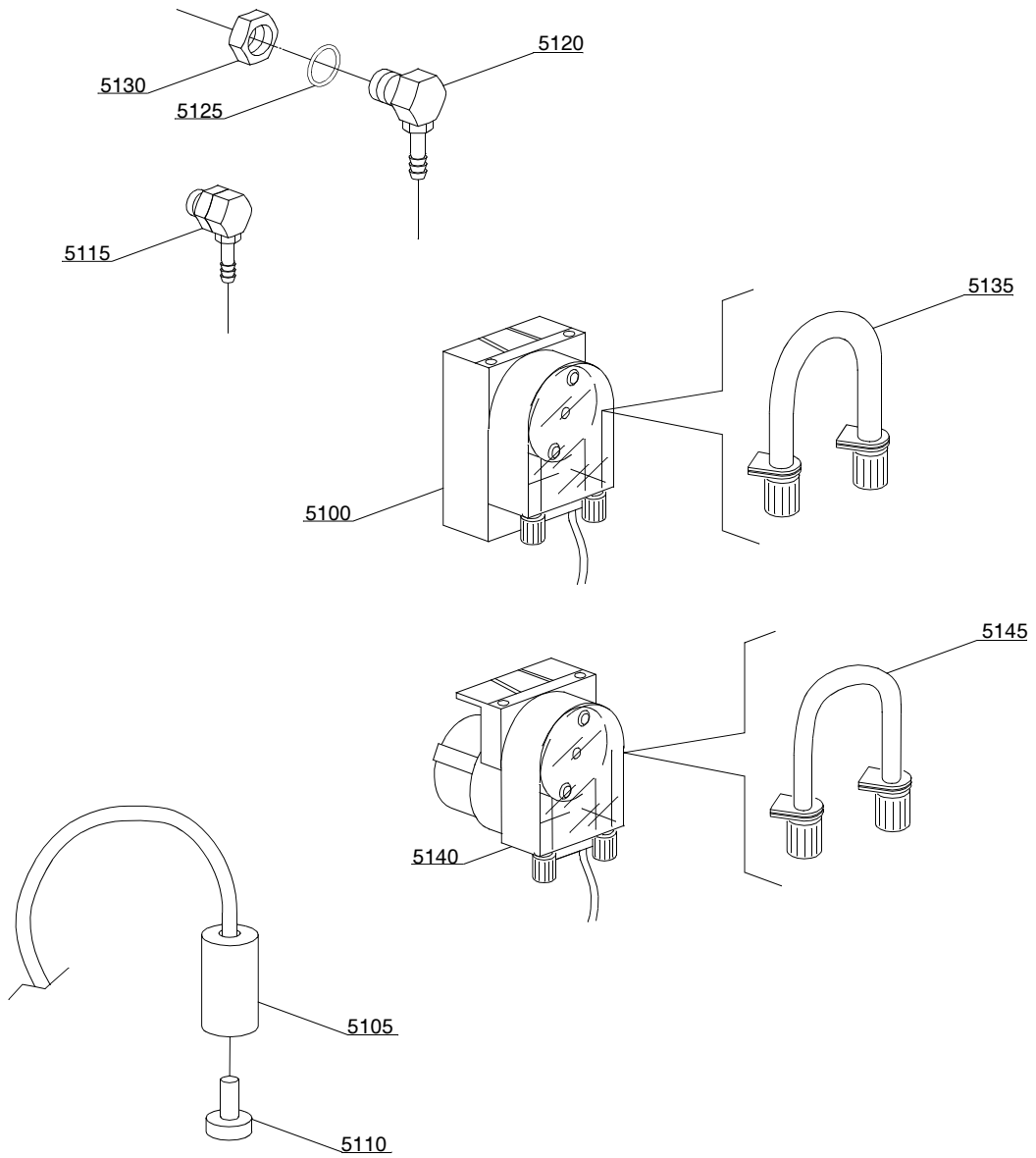
---

ID	P-code	Model	Type	Accessory	Voltage	Description
MODULE:4 ways derivation						
9600	15151		JU			Ø10 mm 4 ways derivation
9605	11807		JU			12/22 clamp



13\_005\_e





14\_004\_e

## Spare parts

ID	P-code	Model	Type	Accessory	Voltage	Description
MODULE:Dosing device group						
5100	15985		JU	dd		Seko dosing device
5105	12525		JU	dd		Counter-weight
5110	15058		JU	dd		Small filter
5115	15123		JU	dd		Compleat plastic injector
5120	15148		JU	dd		Steel injector
5125	15159		JU	dd		OR gasket
5130	10200205		JU	dd		M12x1 stainless steel nut
5135	15185		JU	dd		Seko thermoplastic pipe
5140	15985		JU	dd		Germac dosing device
5145	15108/E		JU	dd		Germac thermoplastic pipe

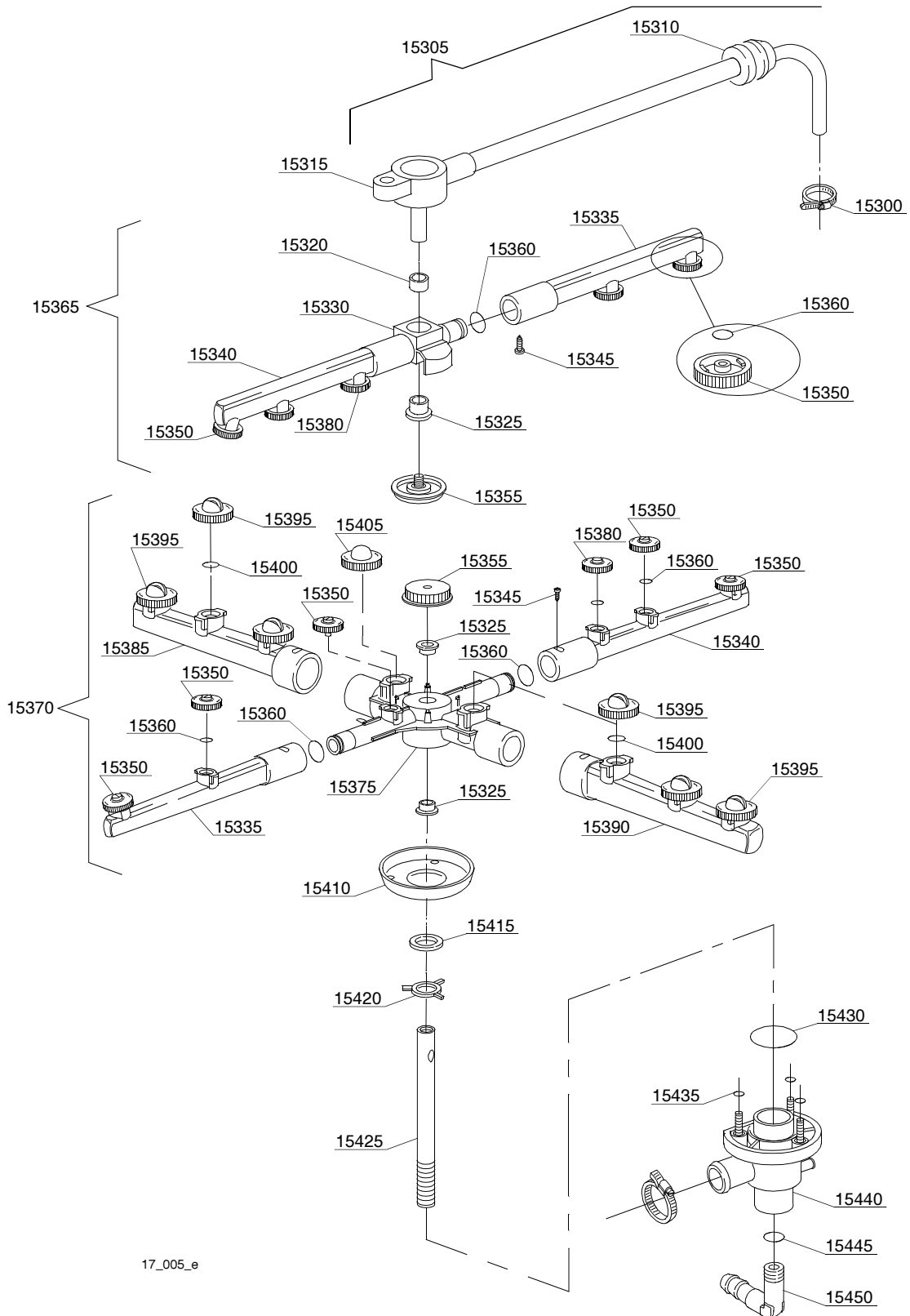




## Spare parts

---

ID	P-code	Model	Type	Accessory	Voltage	Description
MODULE:Pressure switch group with air trap						
2100	10706/A		JU			47-27 pressure switch
2105	10911		JU			Air trap assembly
2110	13301		JU			Gasket
2115	11702		JU			M8 stainless steel nut



17\_005\_e

